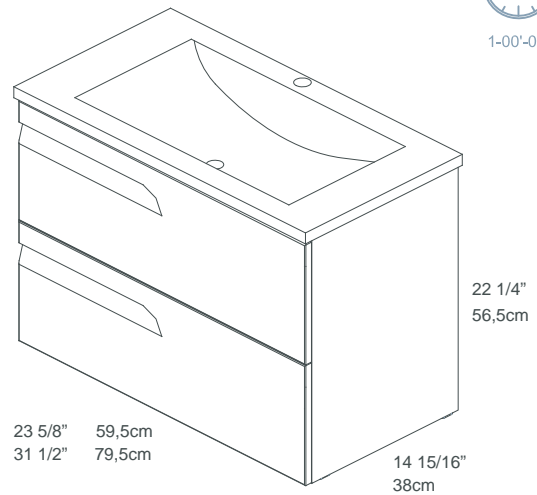
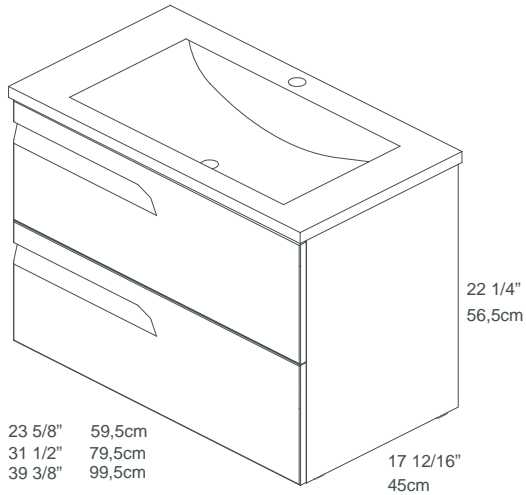
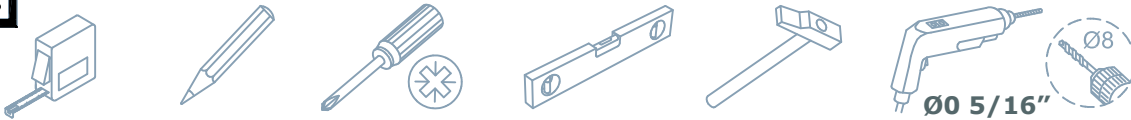




1-00'-00"



## 01.



Ø8

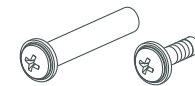
Ø0 5/16" x4



T1x4

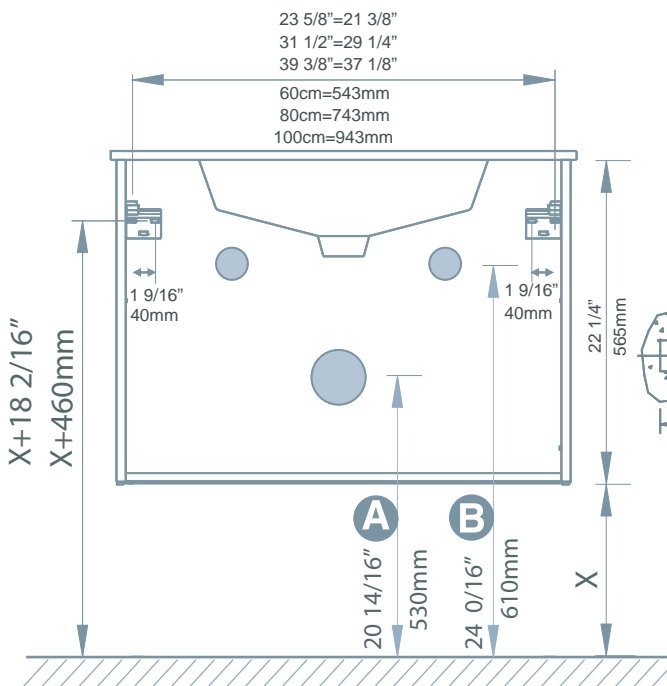


x2



T2x2

## 02.

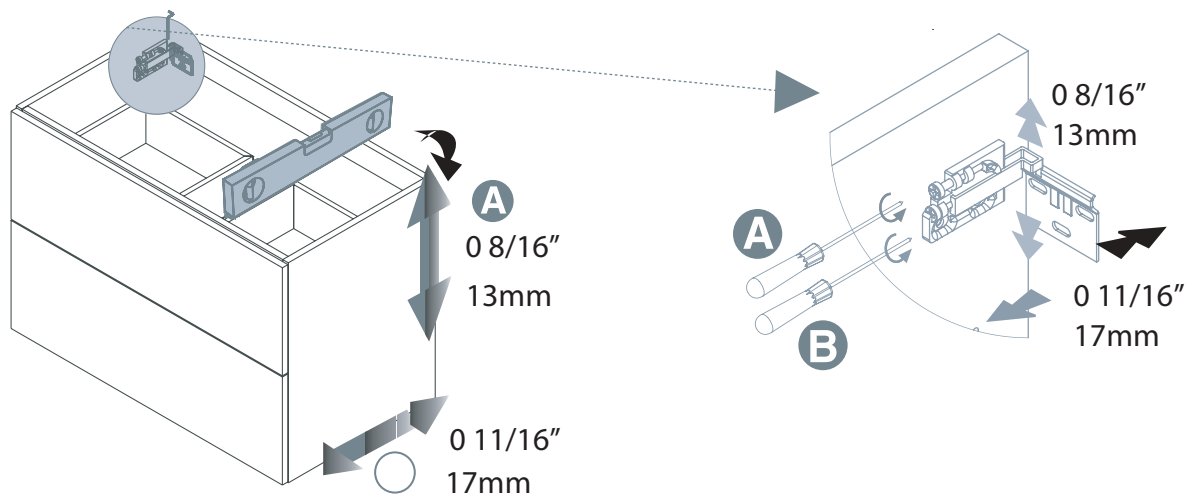


Ø8  
Ø0 5/16"

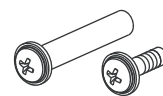
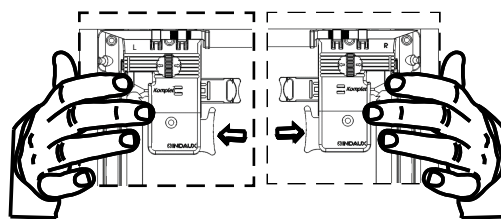
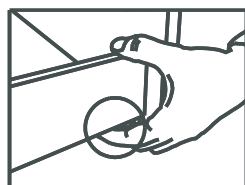
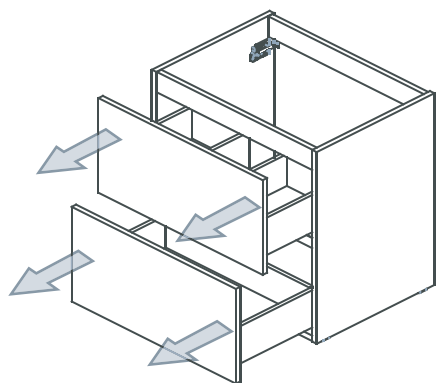
**A** Desagüe  
Vidage  
Waste pipe  
Abwasserleitung  
Scarico  
Desagüe

**B** Conexión agua  
Connection d'eau  
Water connection  
Wasseranschlüsse  
Carico dell'acqua  
Conexão agua

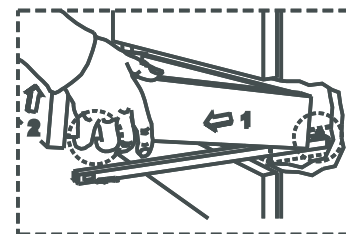
**03.**



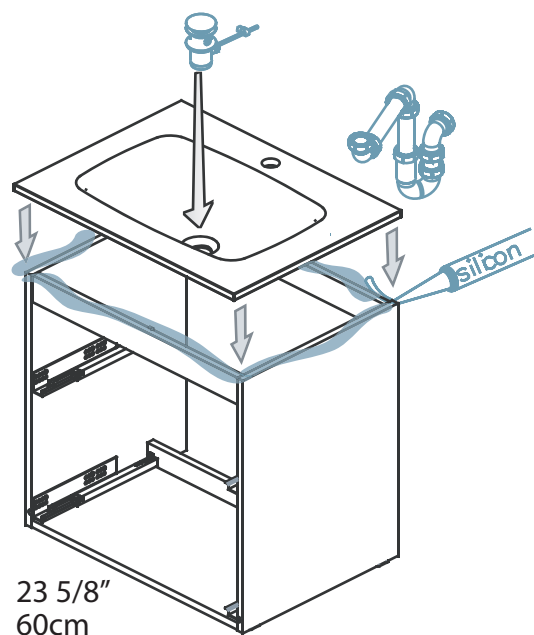
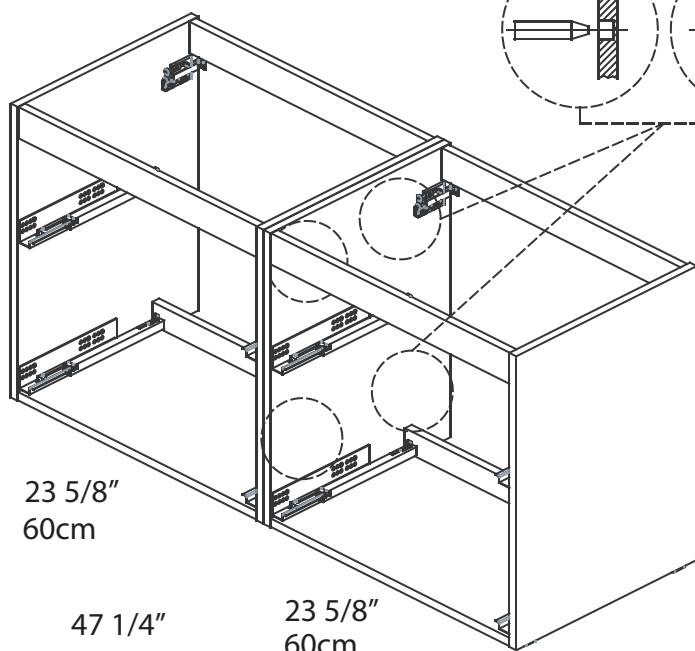
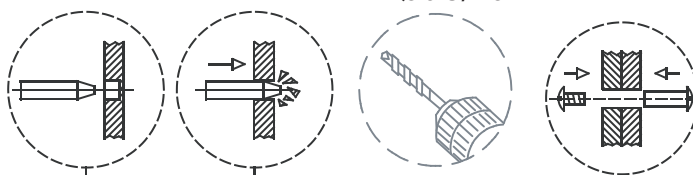
**04.**



T2x2(x2)

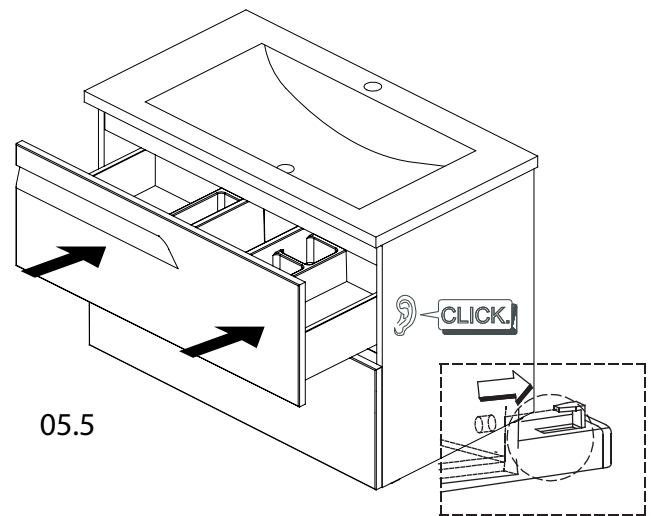
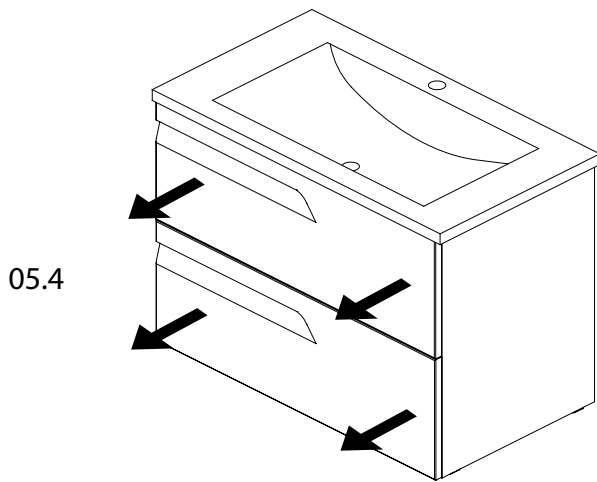
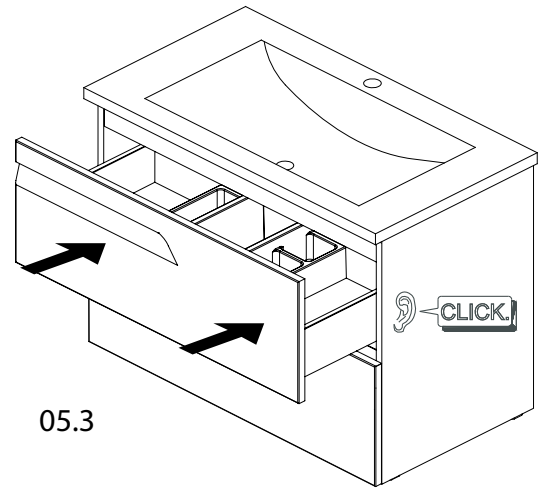
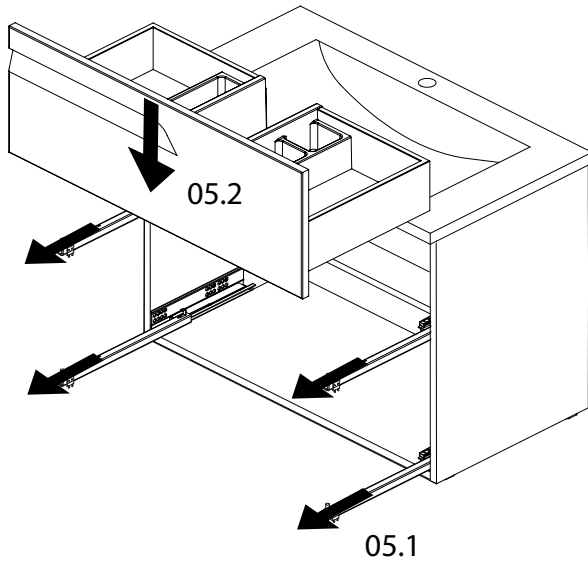


Ø5  
Ø0 3/16"

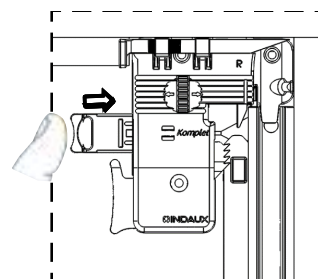
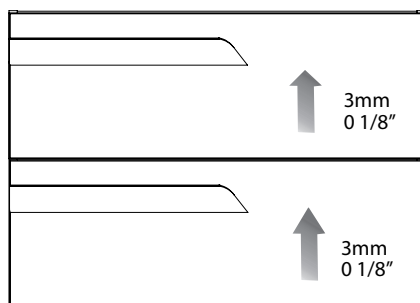
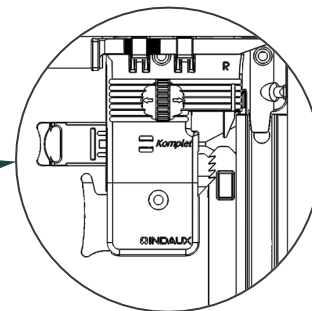
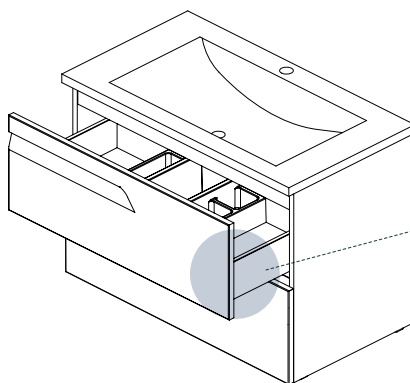


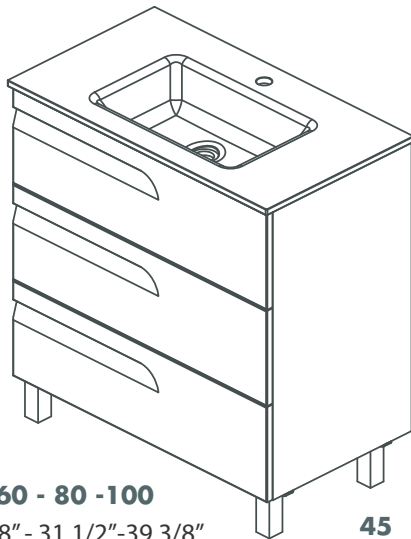
47 1/4"  
120cm

# 05.



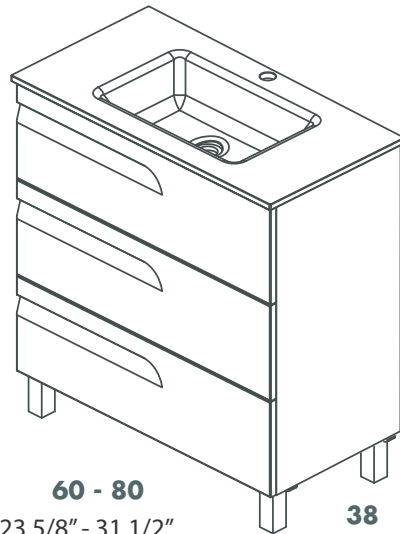
# 06.





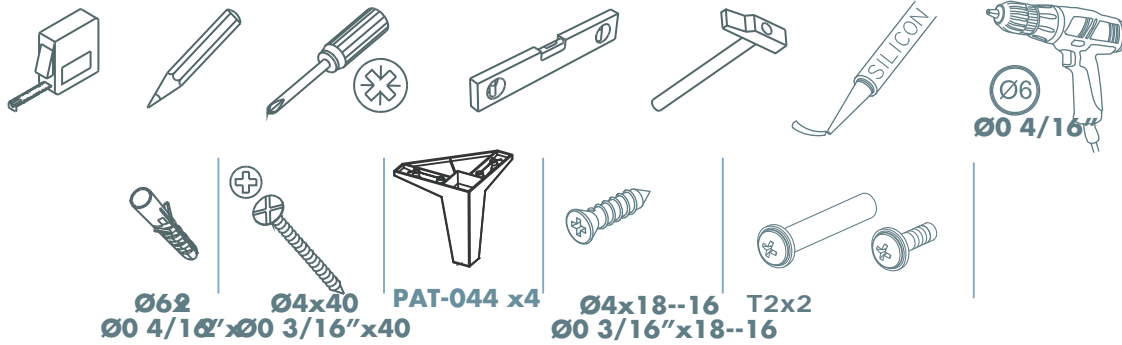
**60 - 80 - 100**  
23 5/8" - 31 1/2" - 39 3/8"

**45**  
17 12/16"

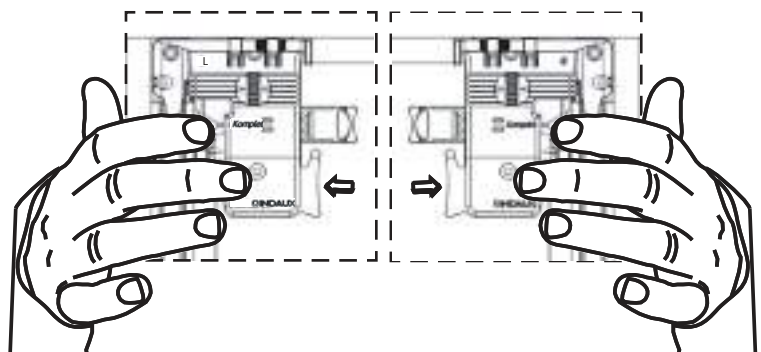
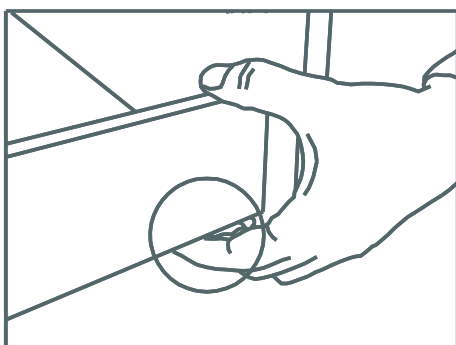
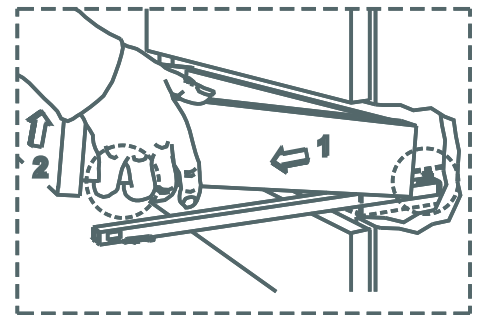
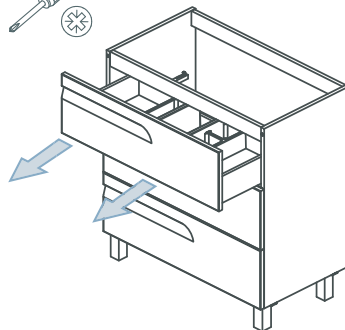
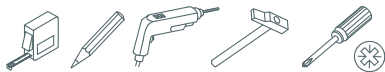


**60 - 80**  
23 5/8" - 31 1/2"

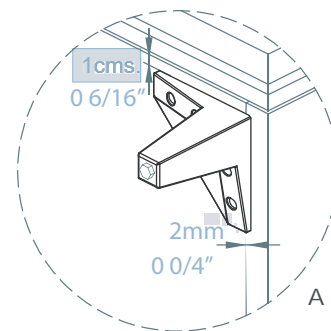
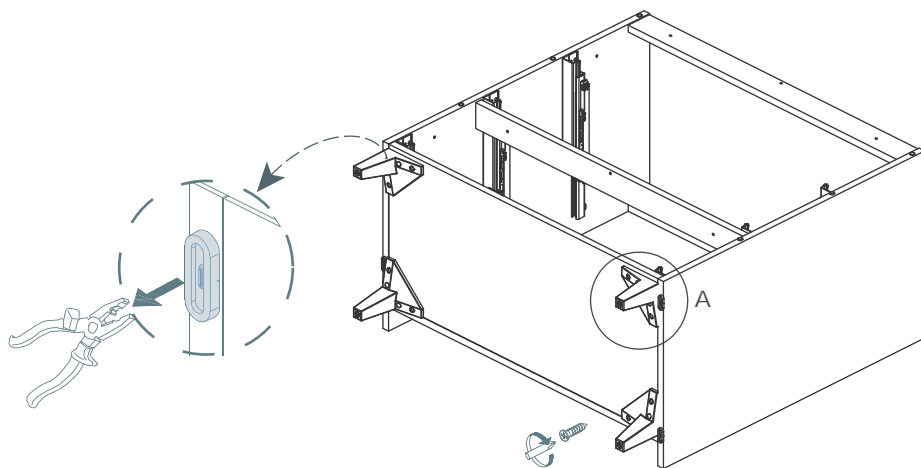
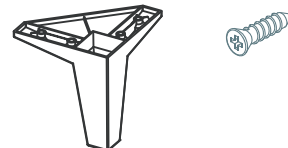
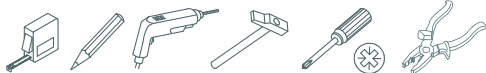
**38**  
14 15/16"



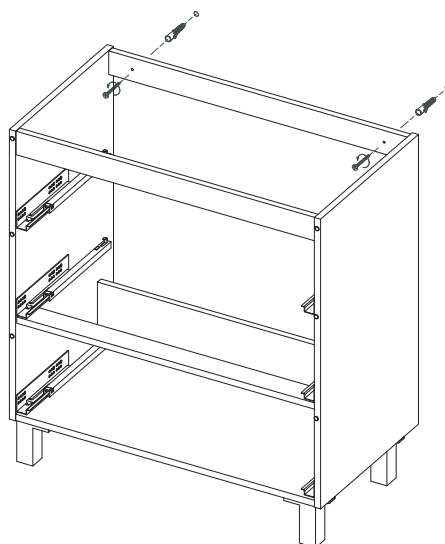
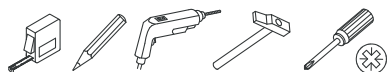
## 01.



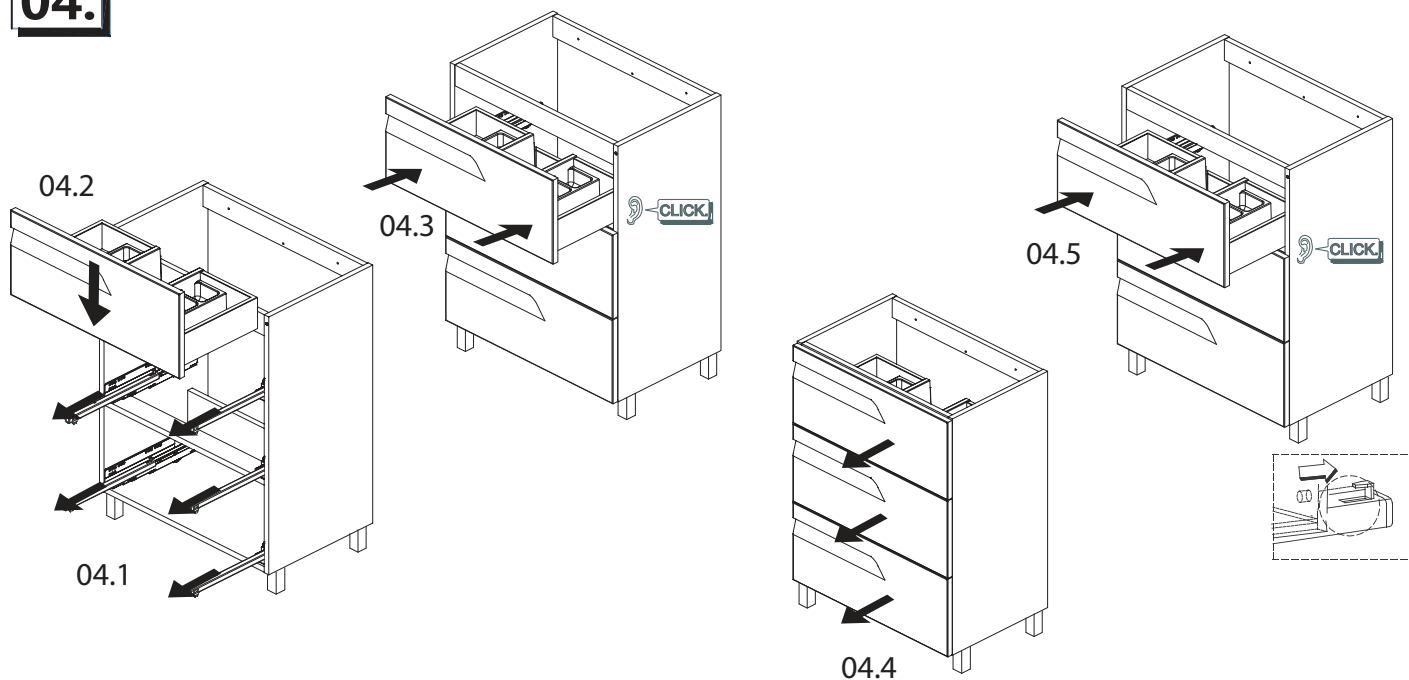
**02.**



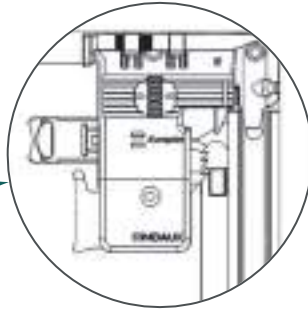
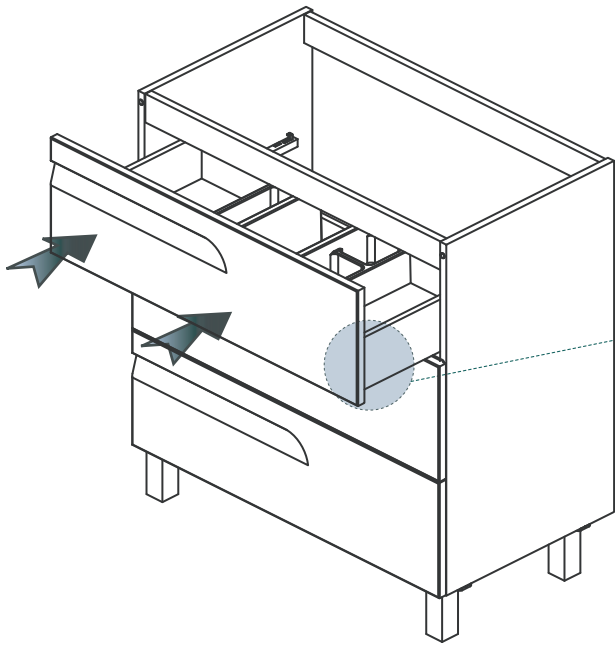
**03.**



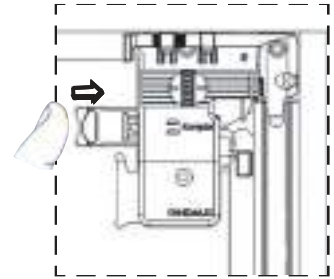
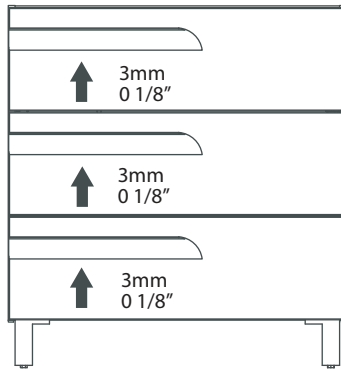
**04.**



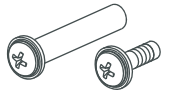
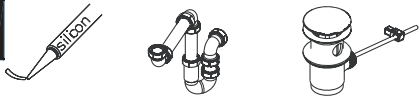
**05.**



CLICK!

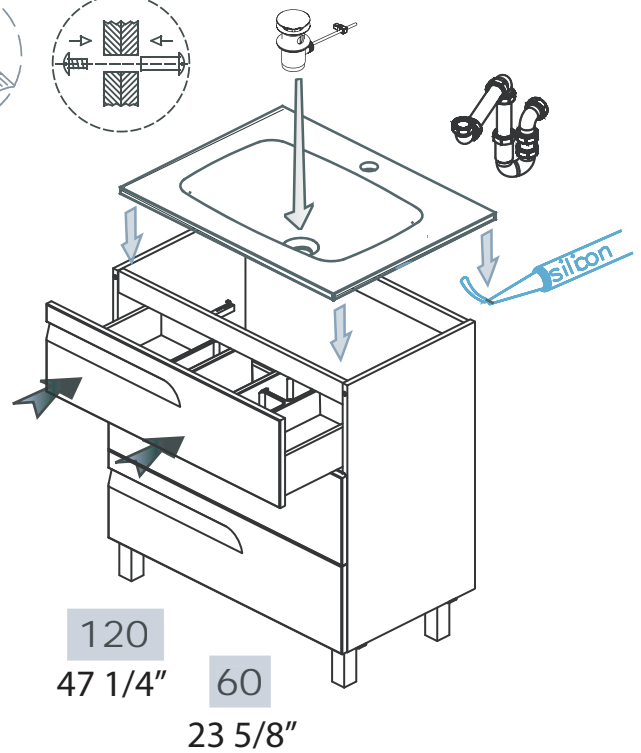
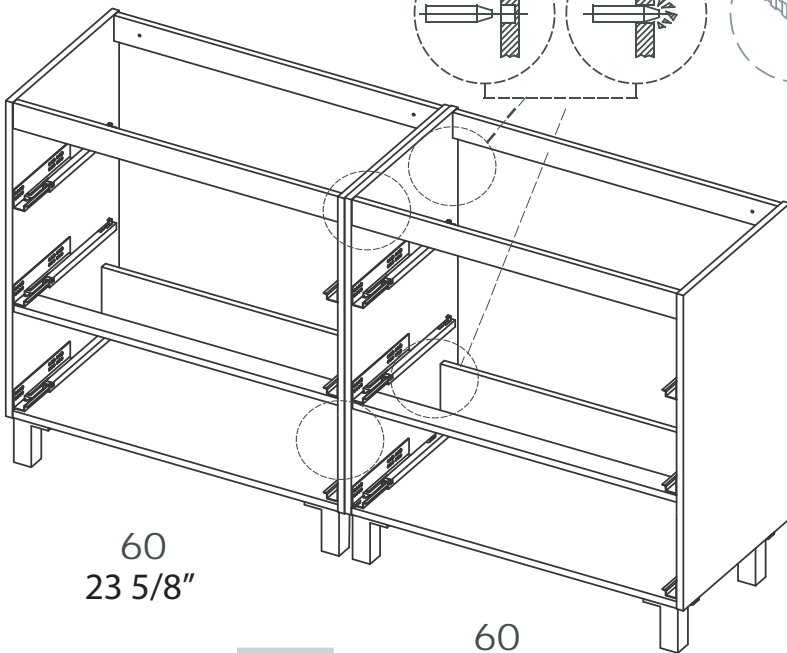
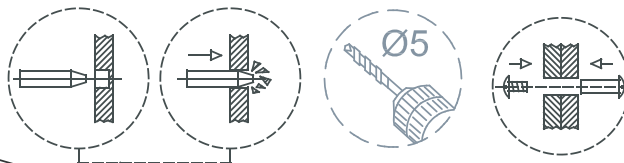


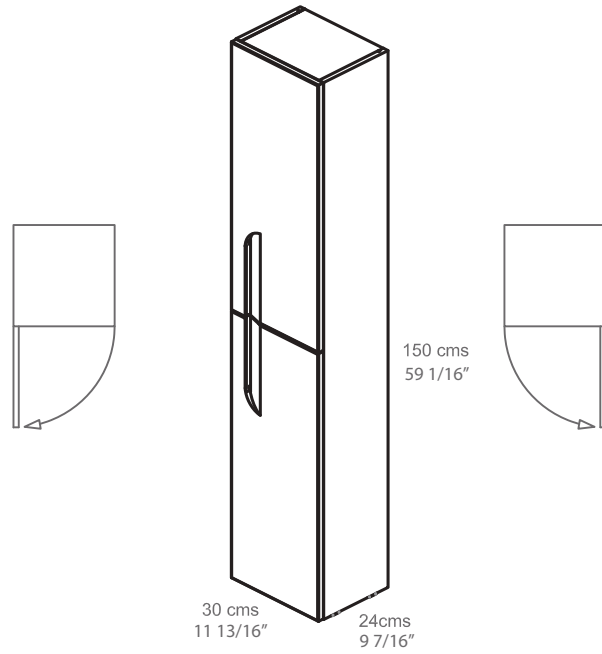
**06.**



T2x2(x2)

Ø 03/16"

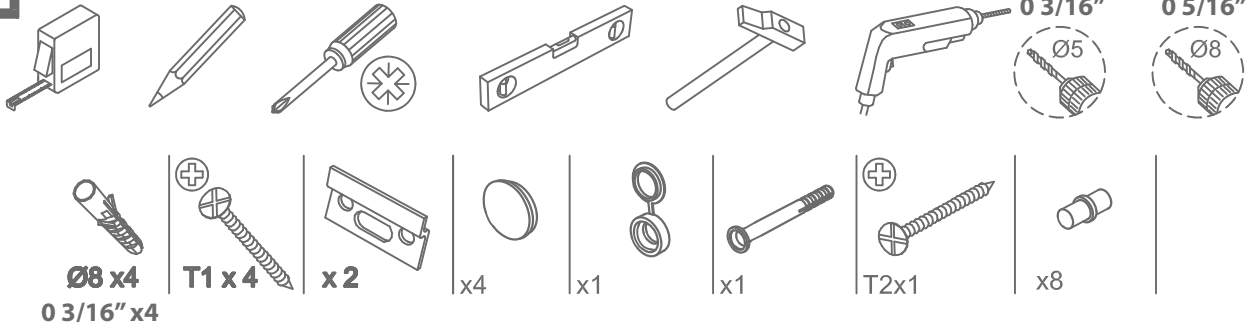




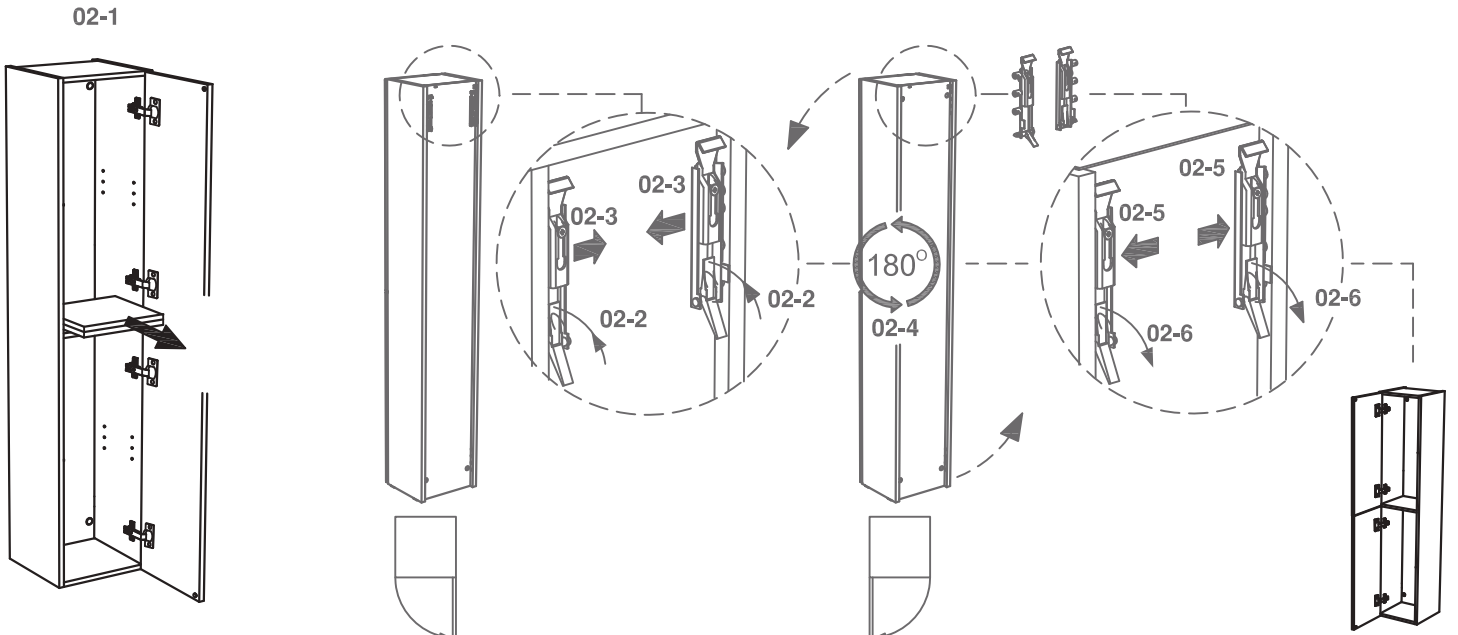
1-00'-00"



## 01.



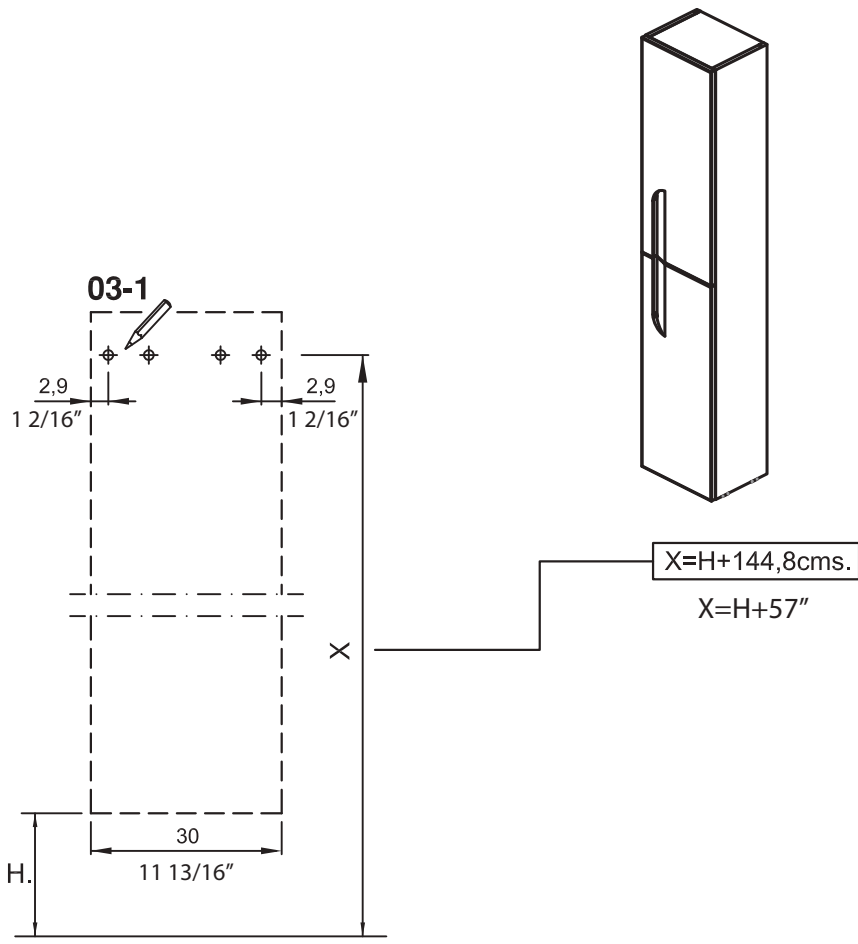
## 02.



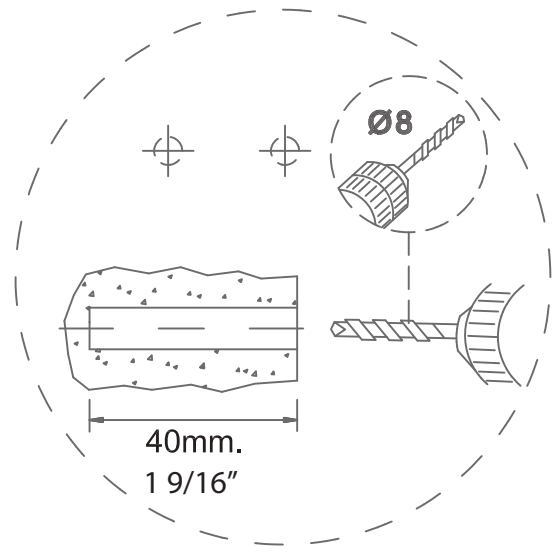
# 03.



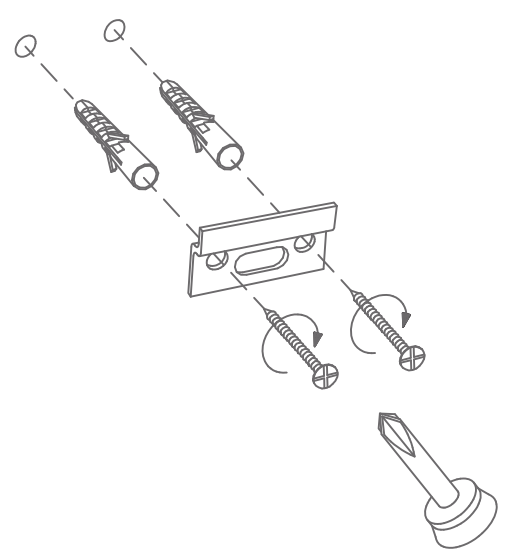
x4 T1x4 x2



## 03-2

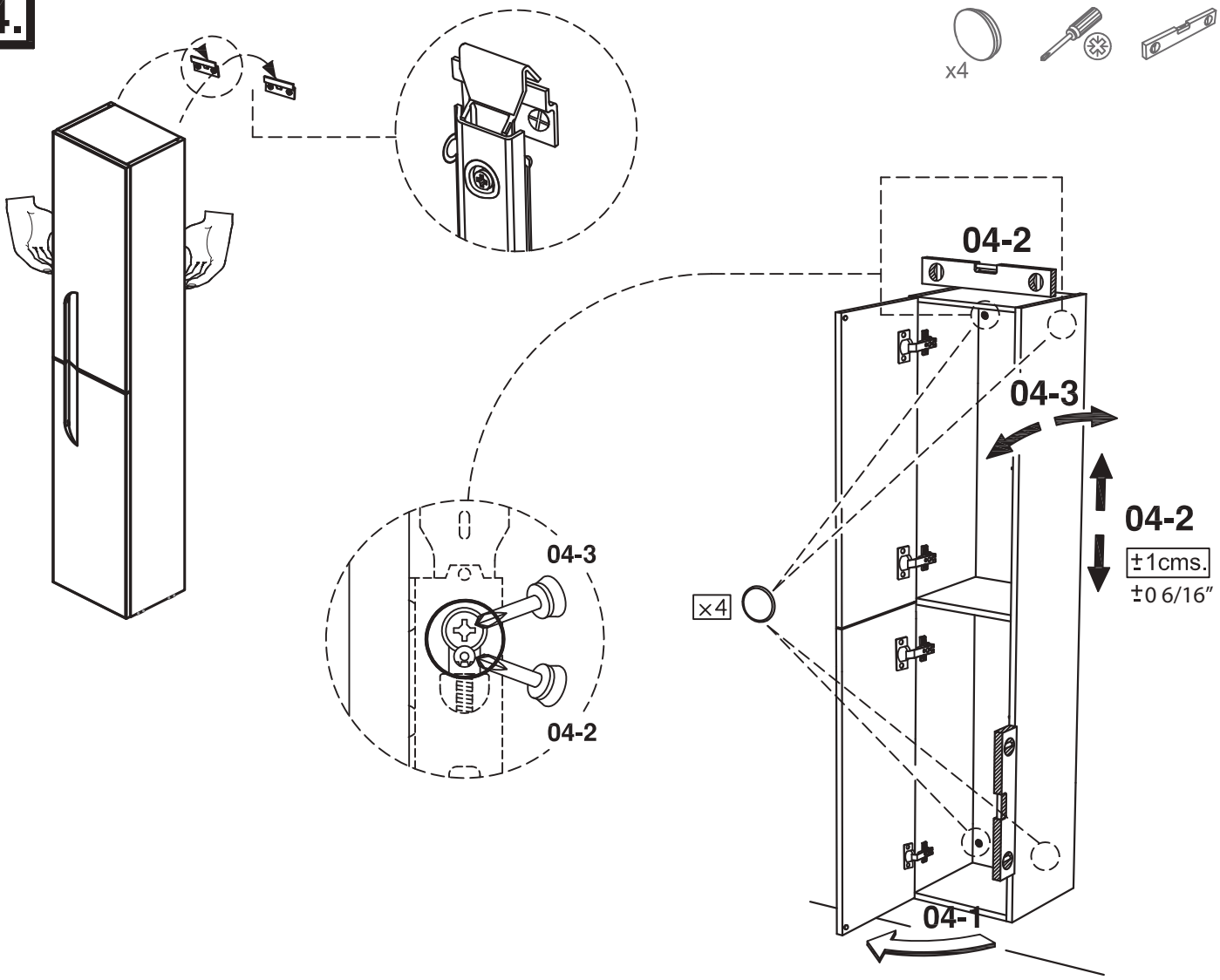


## 03-3

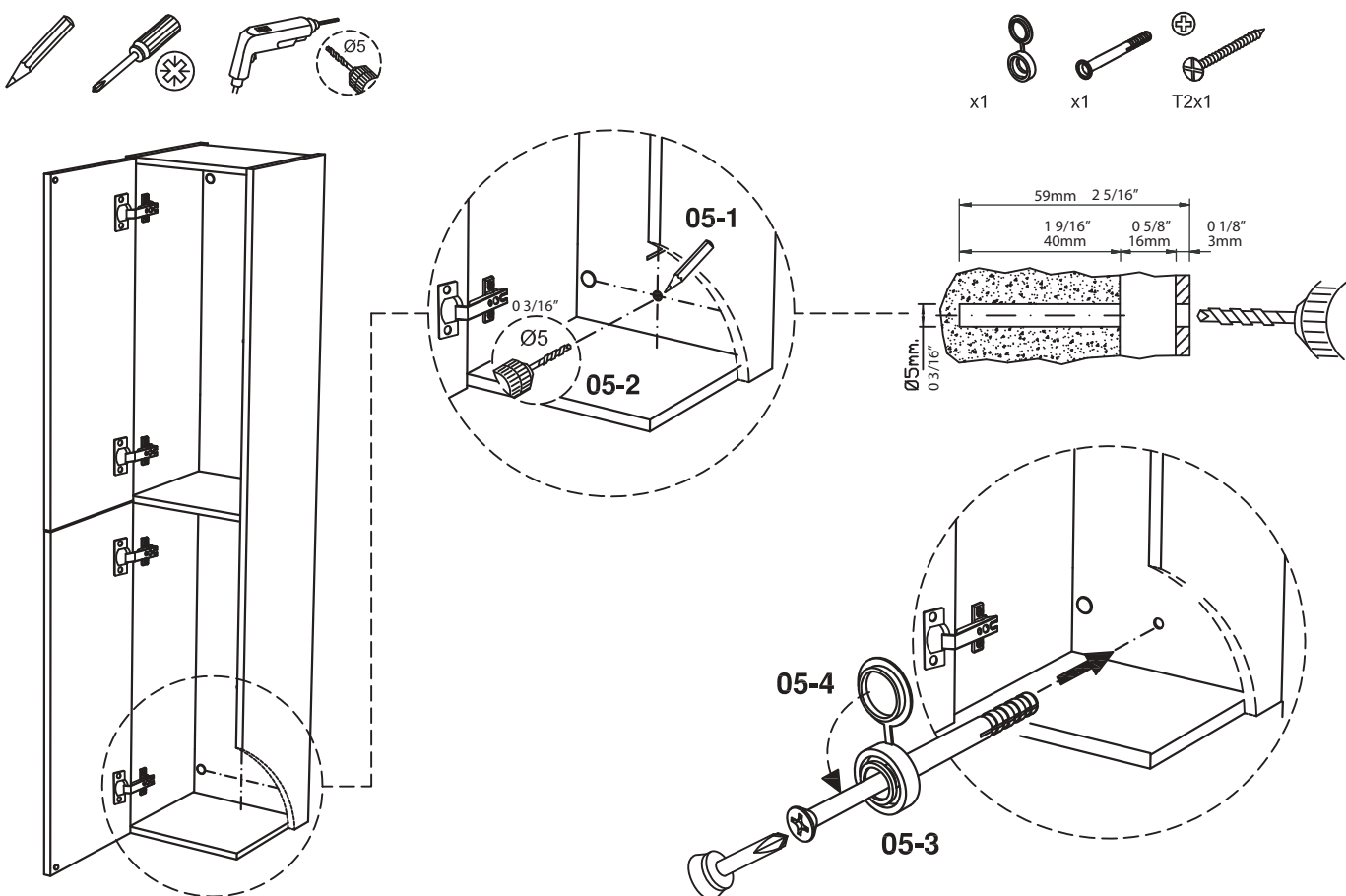




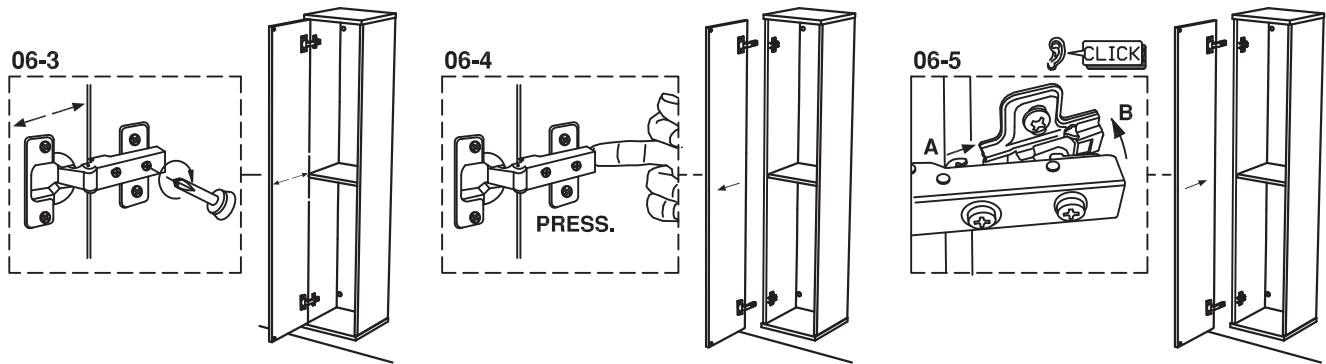
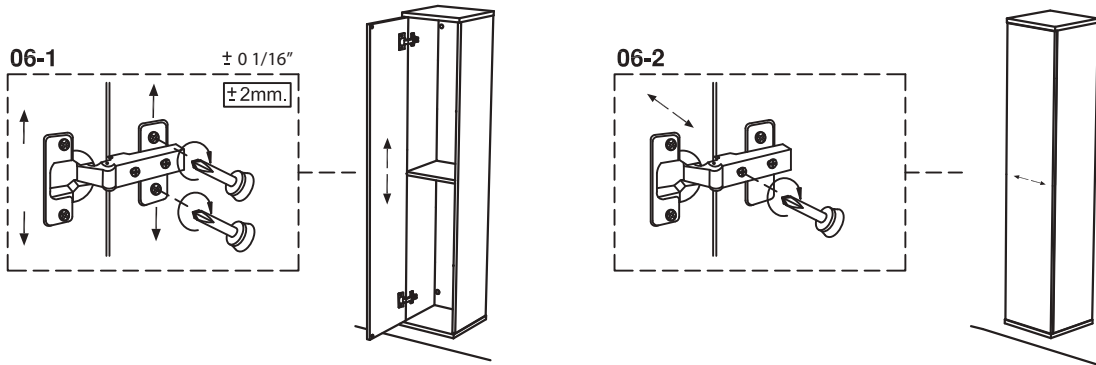
**04.**



**05.**



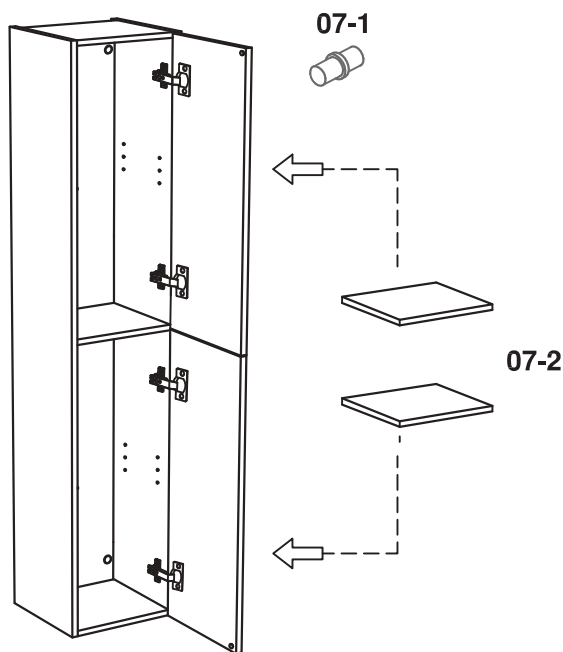
# 06.

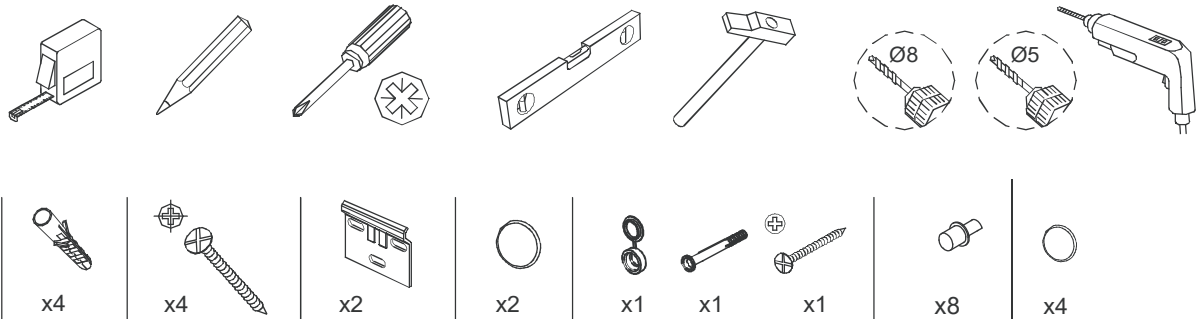
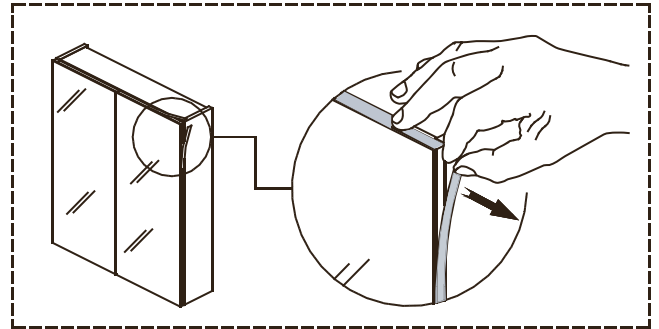
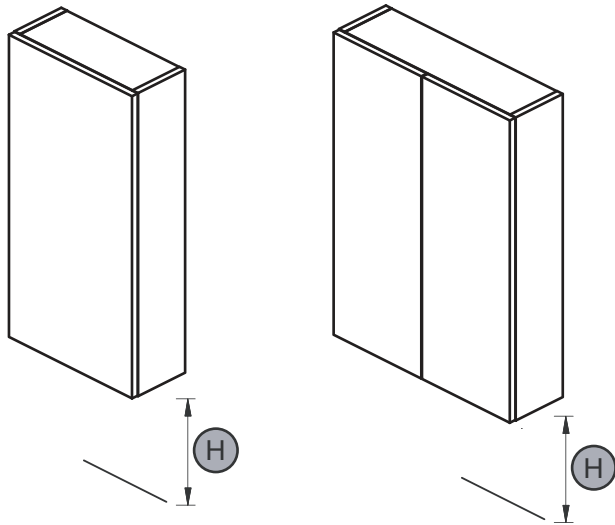


# 07.

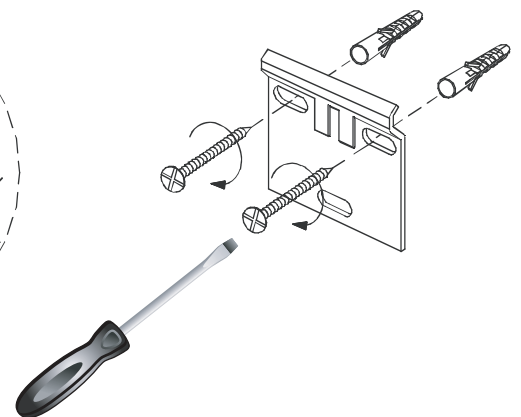
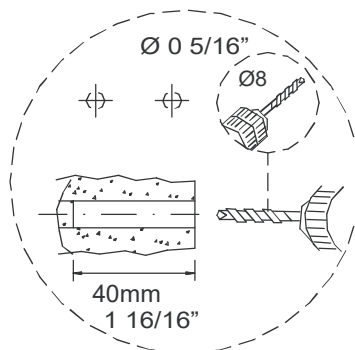
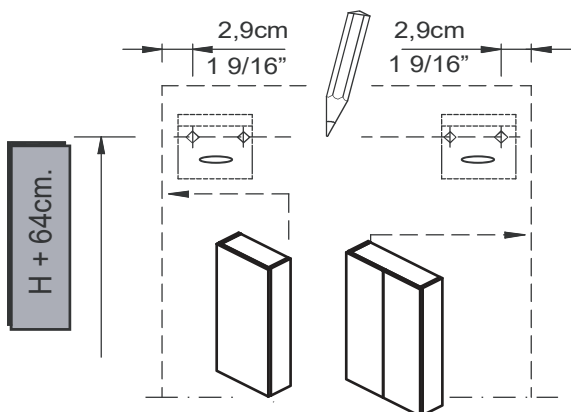
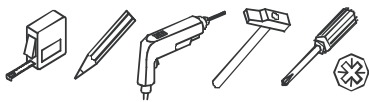


x8

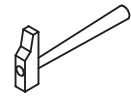
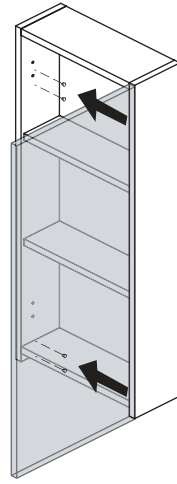
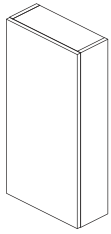




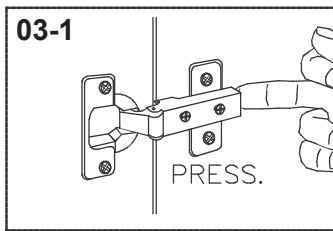
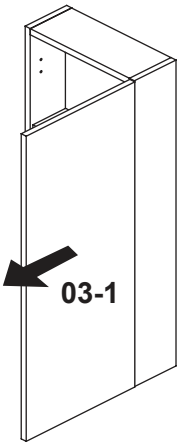
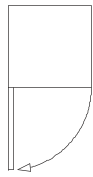
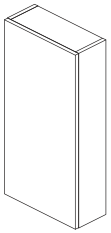
## 01.



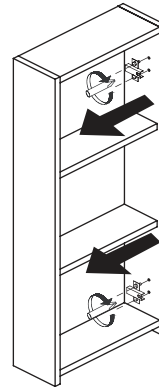
**02.**



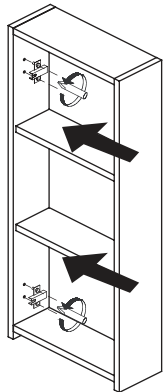
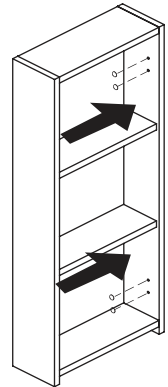
**03.**



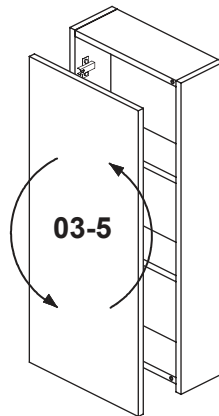
03-2



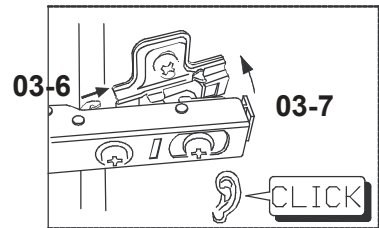
03-3



03-4



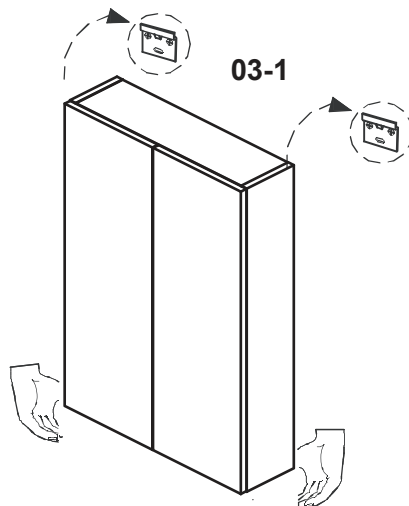
03-5



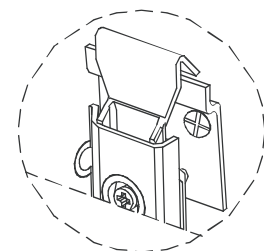
03-6

03-7

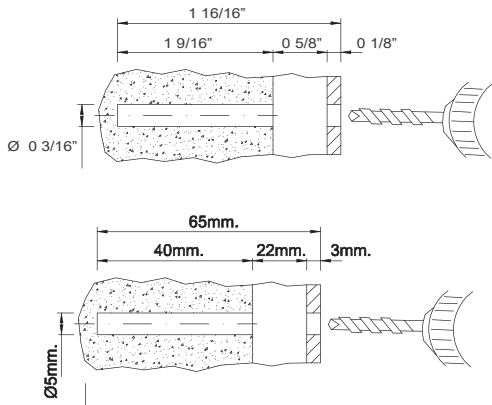
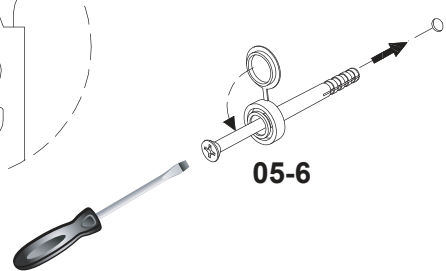
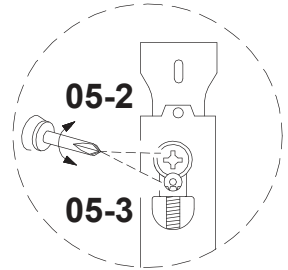
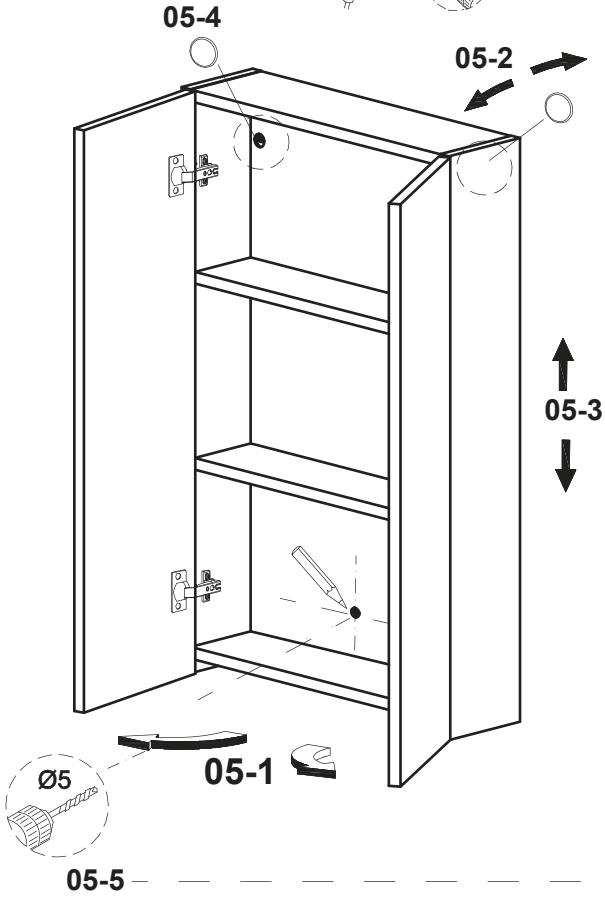
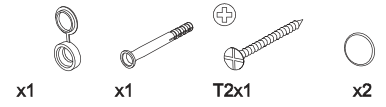
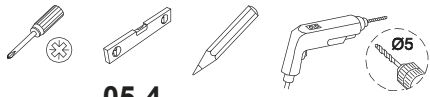
**04.**



03-1



# 05.



# 06.

