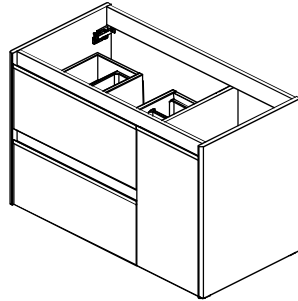
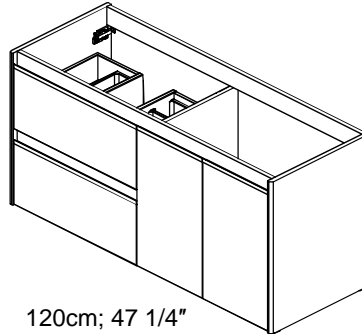


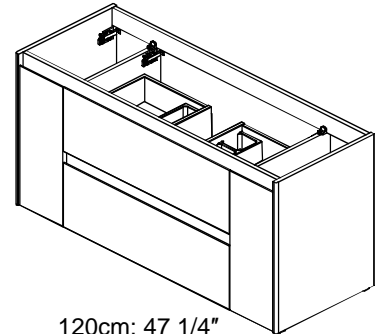
60cm; 23 5/8"
80cm; 31 1/2"
100cm; 39 3/8"



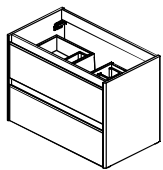
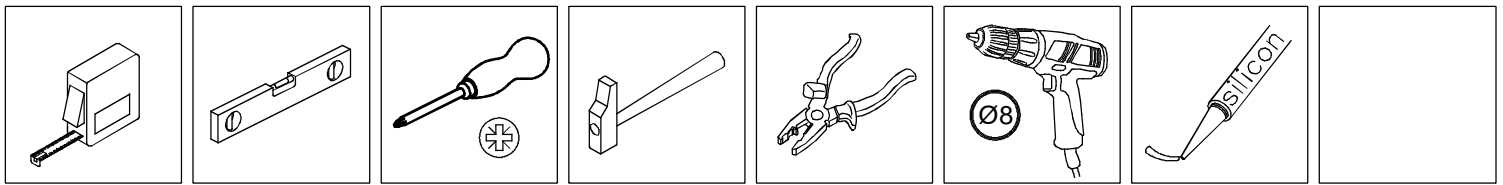
90cm; 35 7/16"



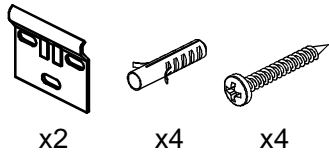
120cm; 47 1/4"



120cm; 47 1/4"

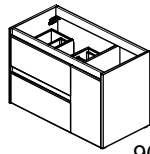


60cm; 23 5/8"
80cm; 31 1/2"
100cm; 39 3/8"

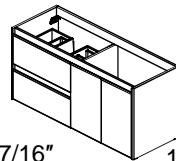


x2 x4 x4

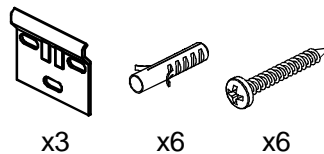
BO-719



90cm; 35 7/16"

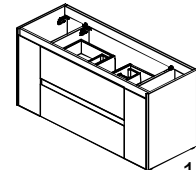


120cm; 47 1/4"

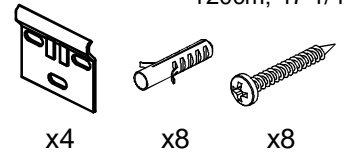


x3 x6 x6

BO-719



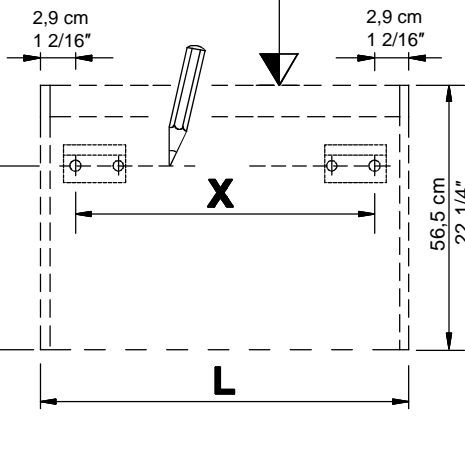
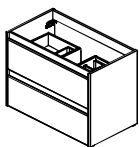
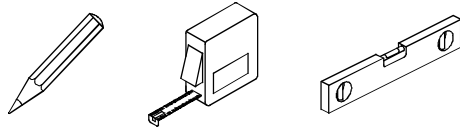
120cm; 47 1/4"



x4 x8 x8

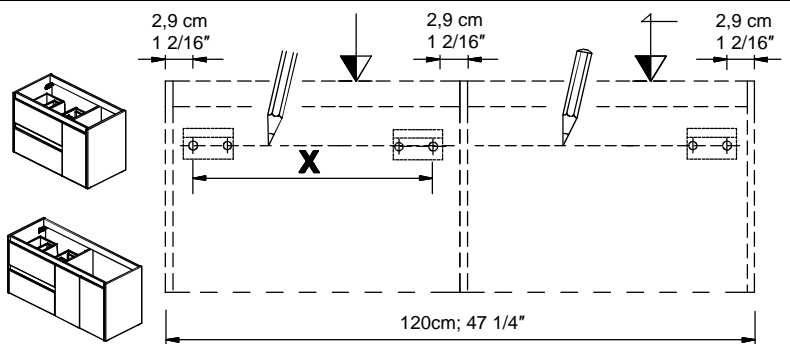
BO-719

01.

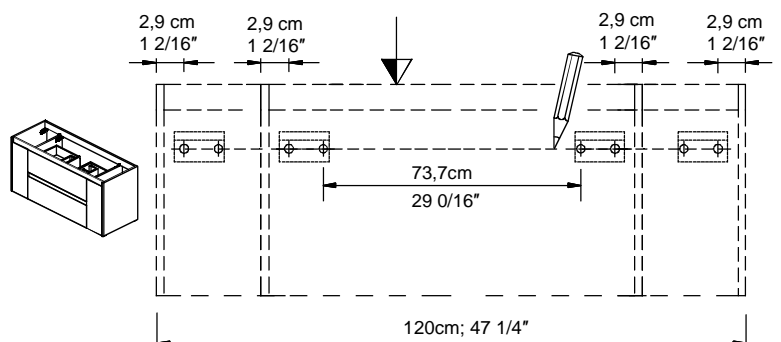


H+45,1cm
H+17 3/4"

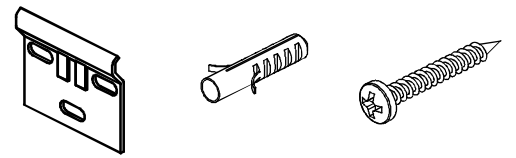
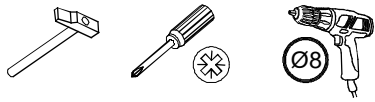
L:60cm → X=53,7cm	L:23 5/8" → X=21 2/16"
L:80cm → X=73,7cm	L:31 1/2" → X=29 0/16"
L:100cm → X=93,7cm	L:39 3/8" → X=36 14/16"



L:90cm → X=53,7cm	L:35 7/16" → X=21 2/16"
L:120cm → X=53,7cm	L:47 1/4" → X=21 2/16"

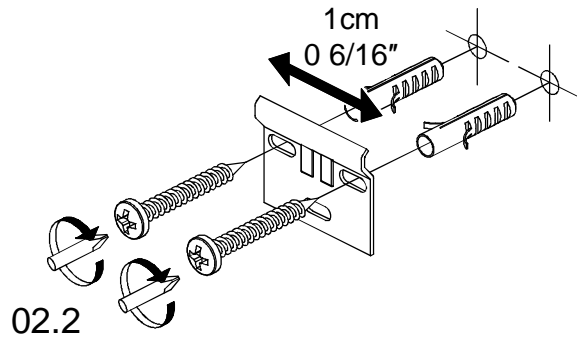
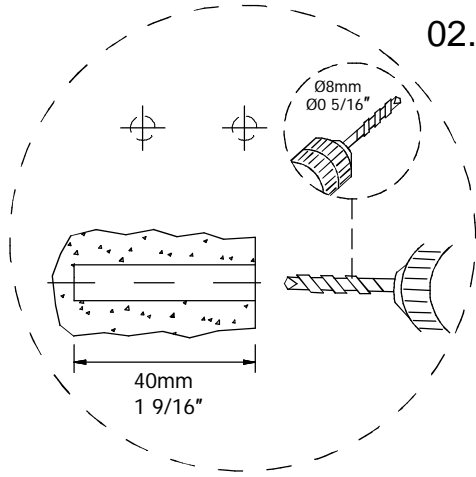


02.

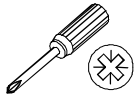


BO-719

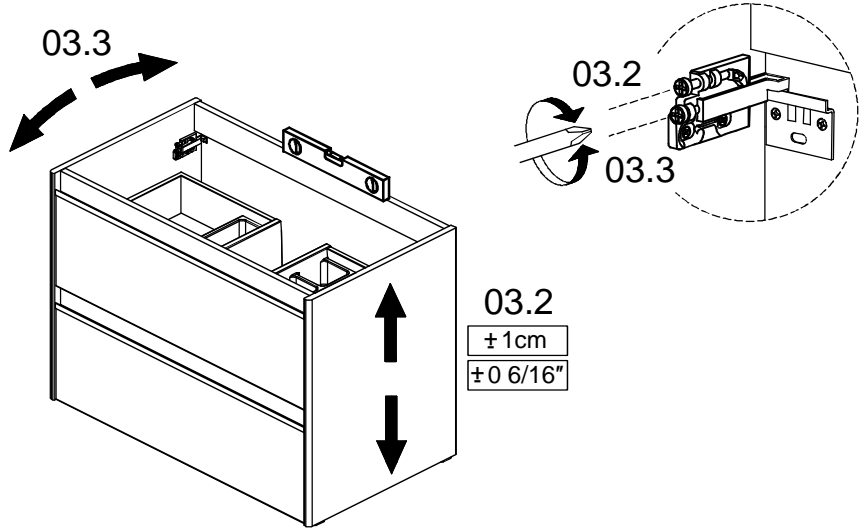
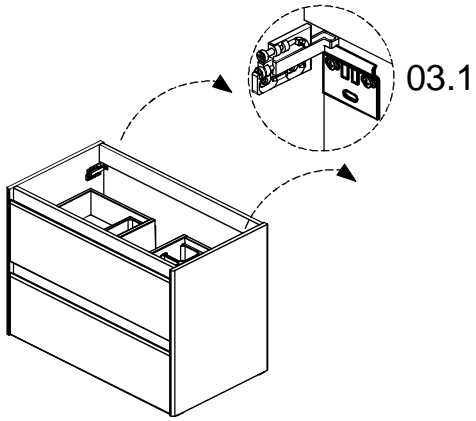
02.1



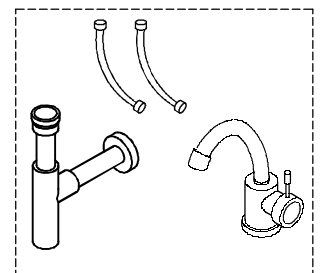
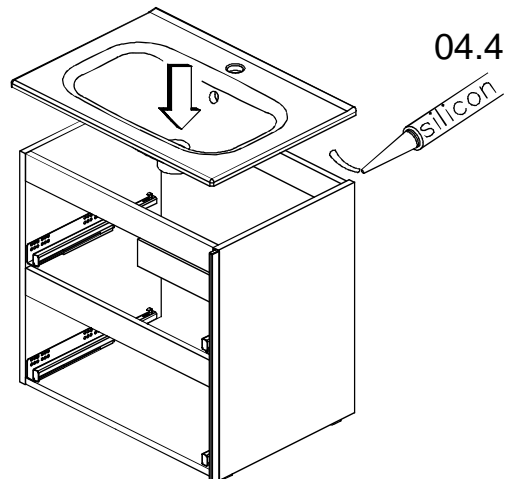
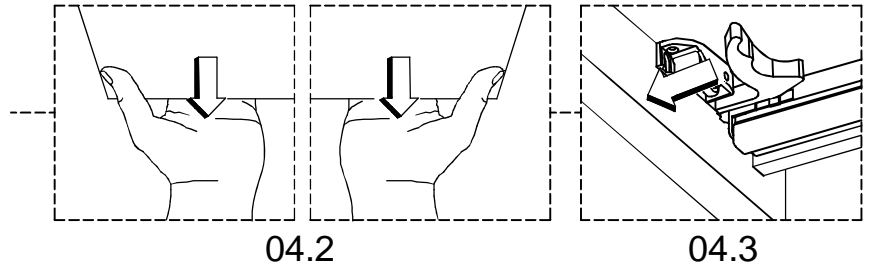
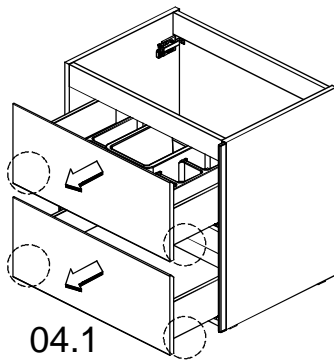
03.



03.3

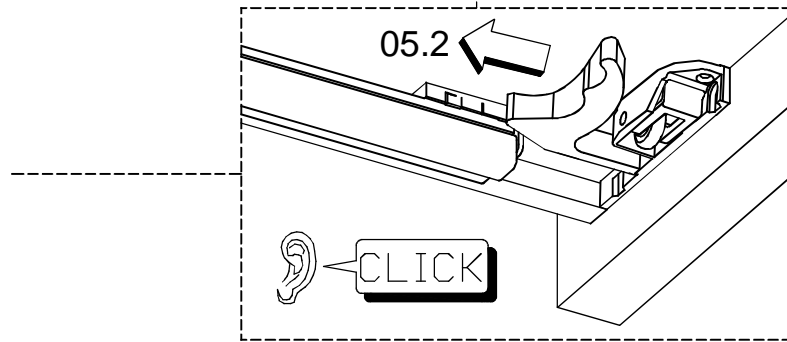
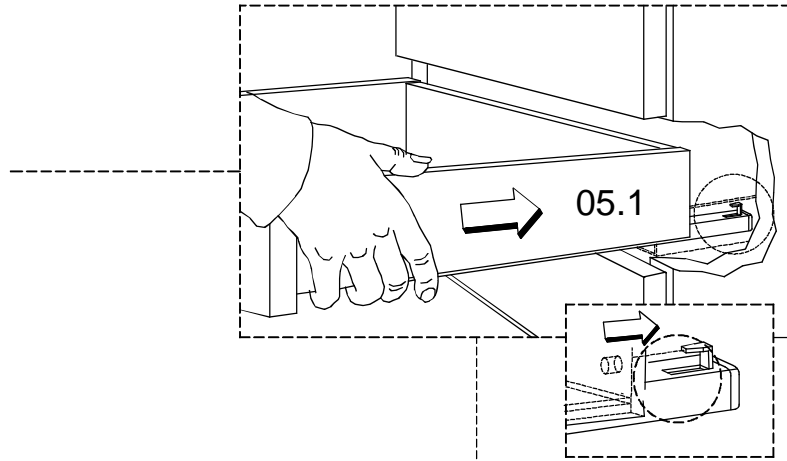
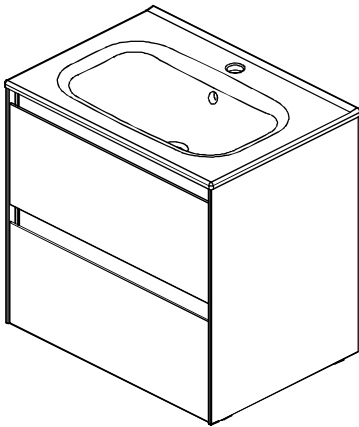
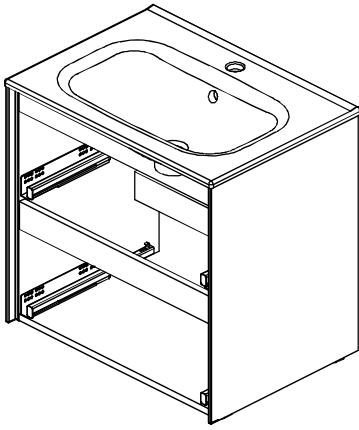


04.

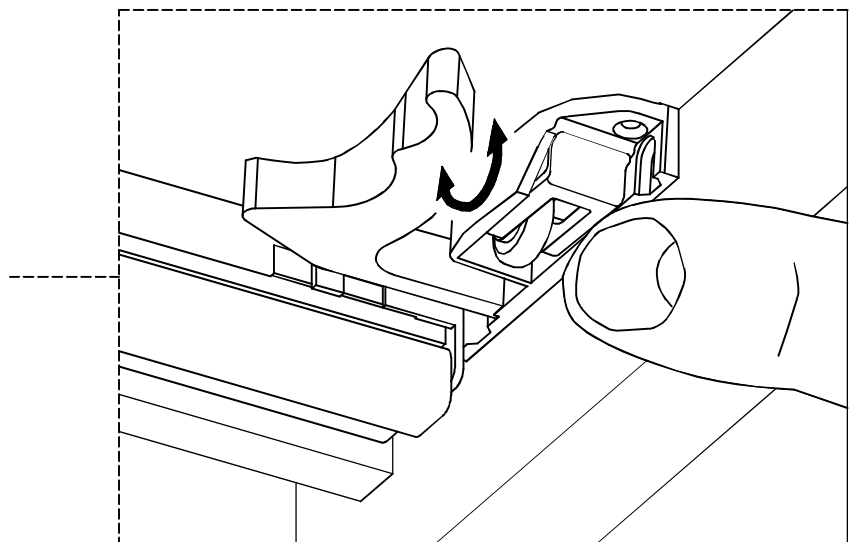
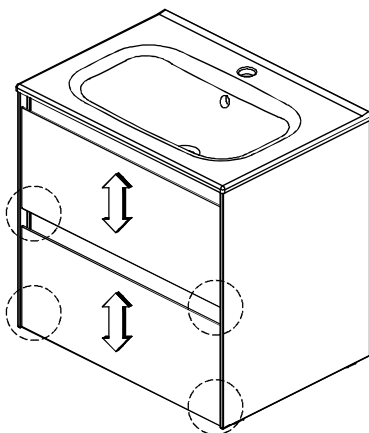


04.5

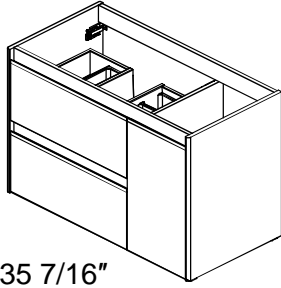
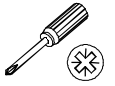
05.



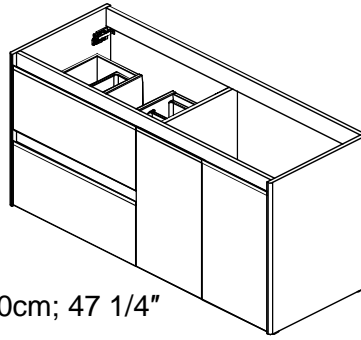
06.



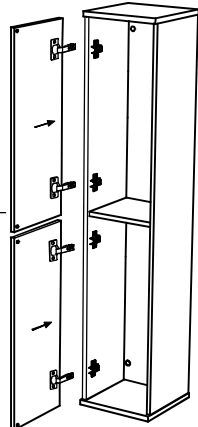
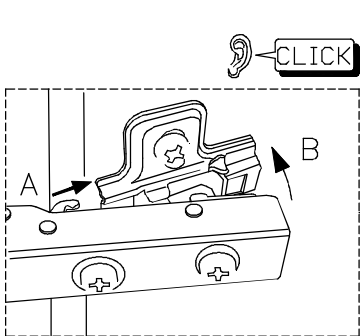
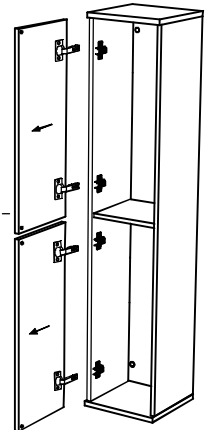
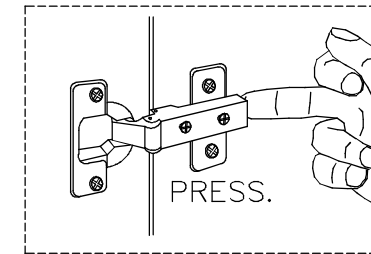
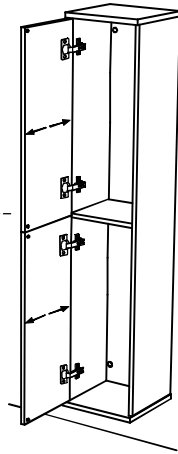
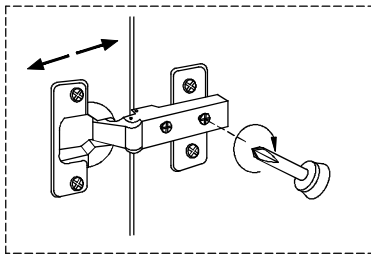
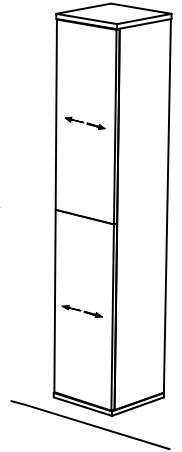
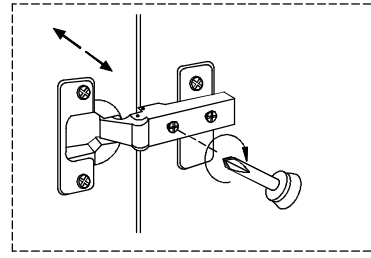
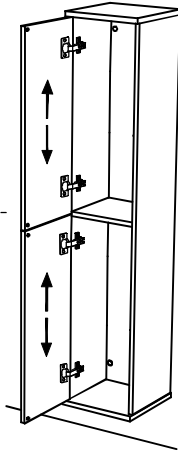
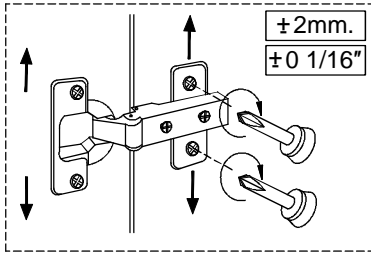
07.

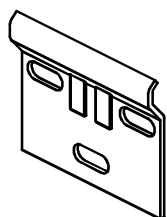
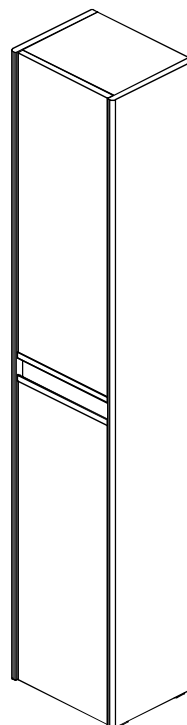
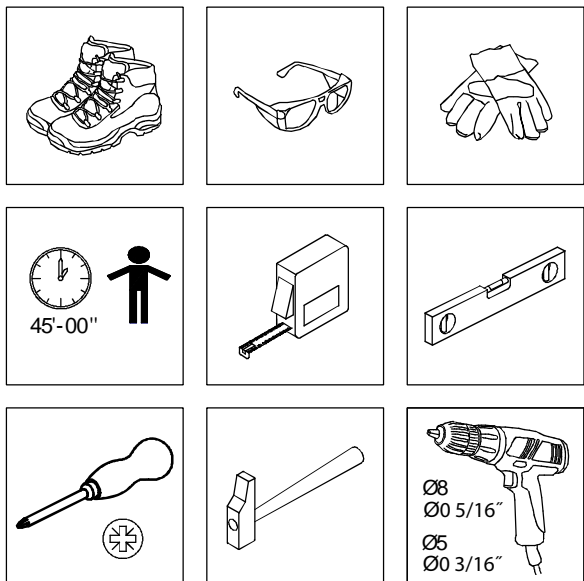


90cm; 35 7/16"

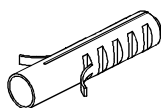


120cm; 47 1/4"

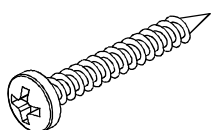




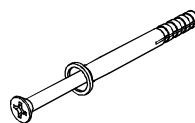
x2



x4



x4



x1



x1



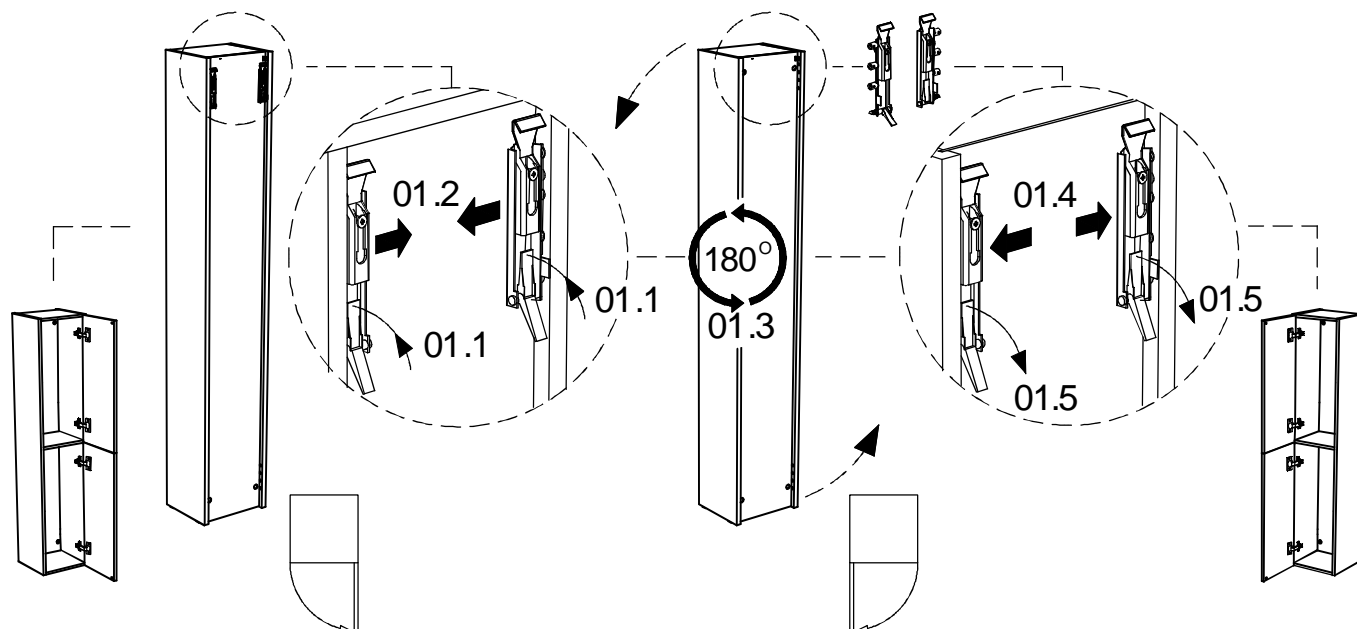
x8



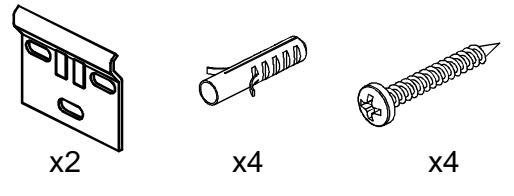
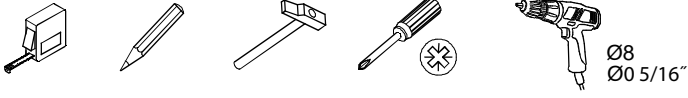
BO-719

BO-630

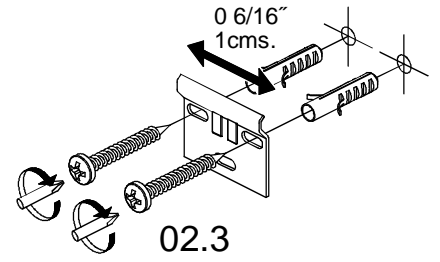
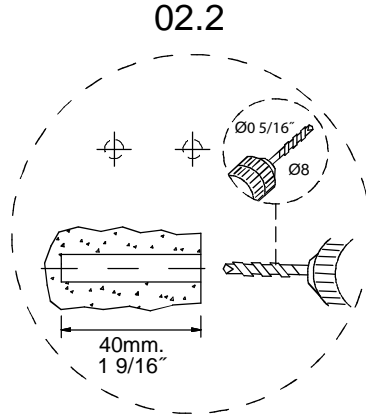
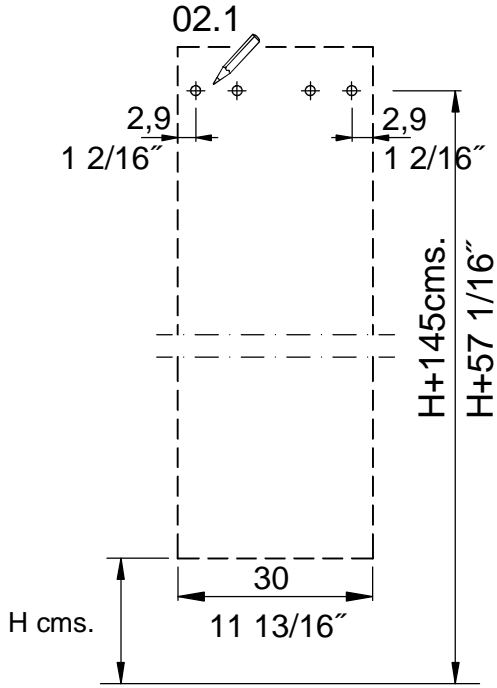
01.



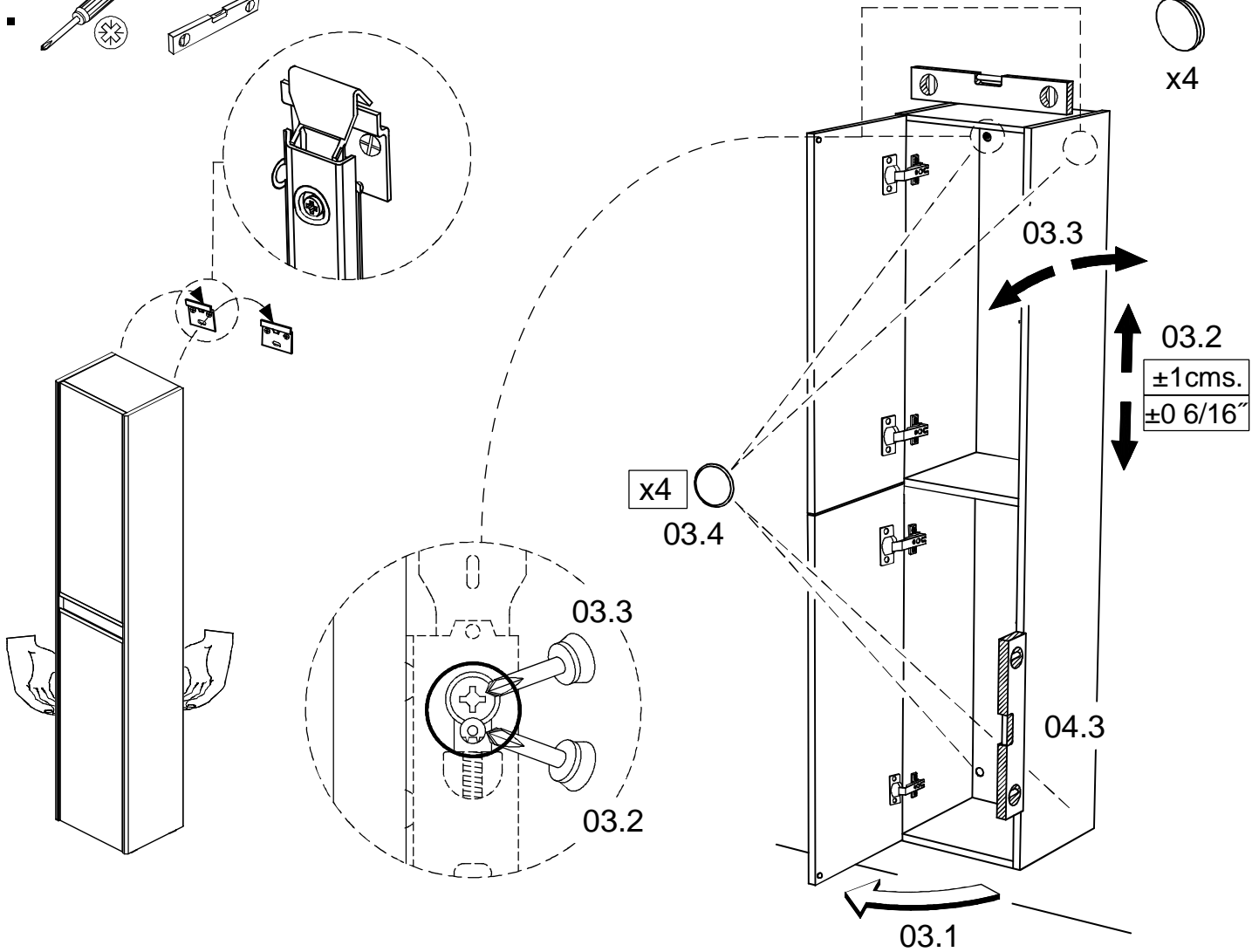
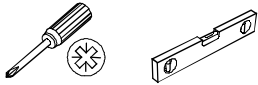
02.



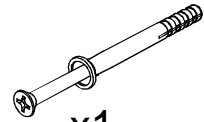
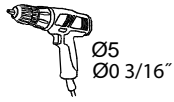
BO-719



03.



04.

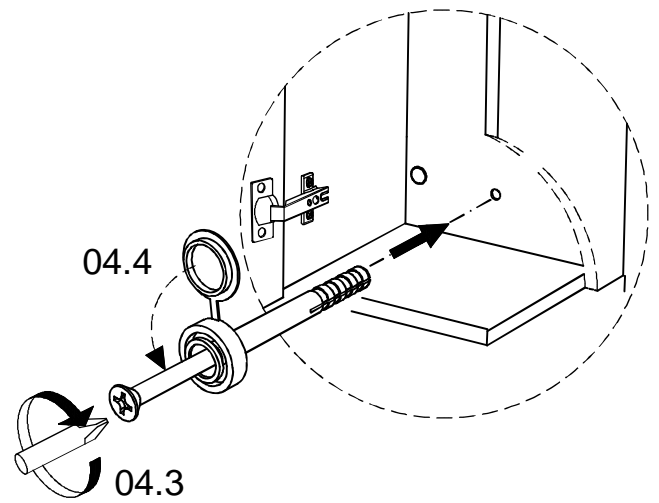
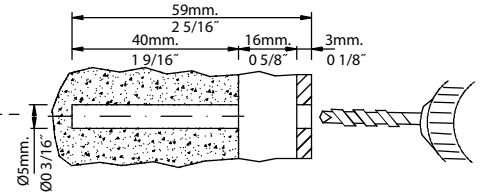
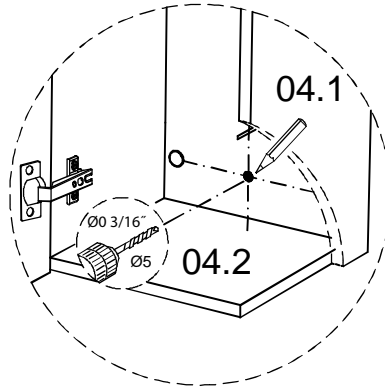
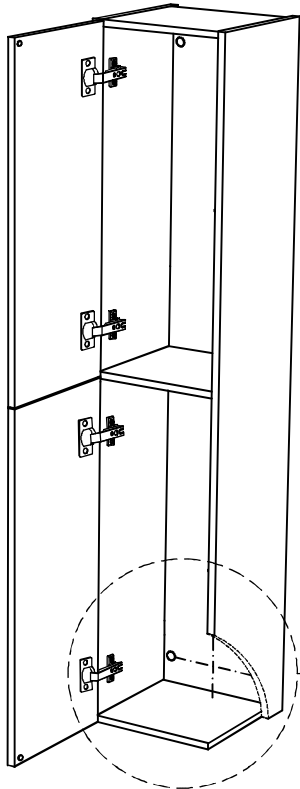


x1

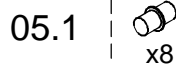


x1

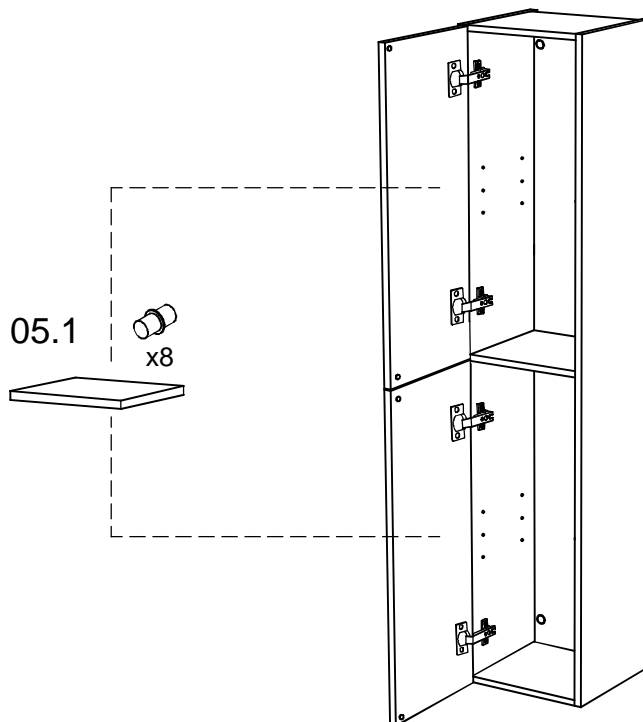
BO-630



05.



05.1 x8

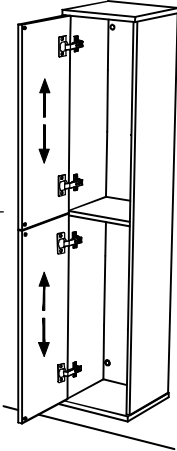
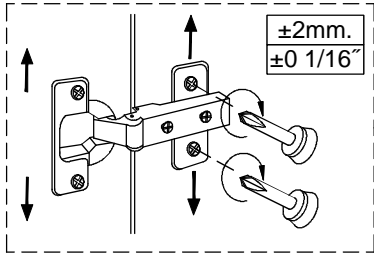


x8

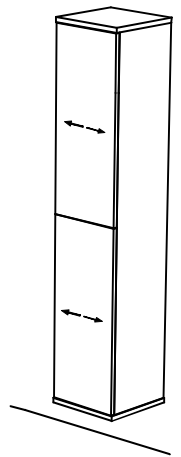
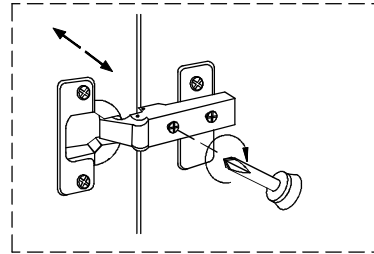
06.



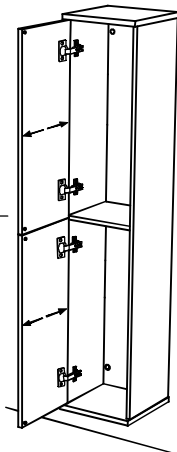
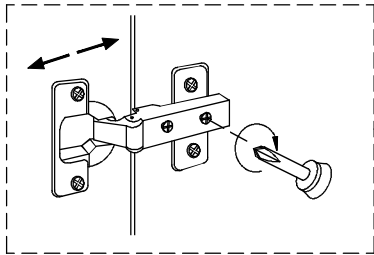
06.1



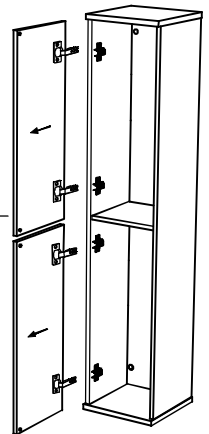
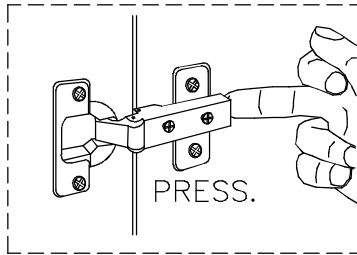
06.2



06.3



06.4



06.5

