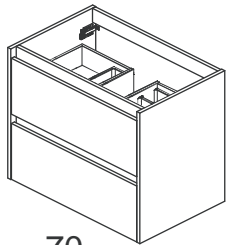
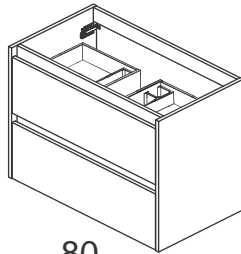


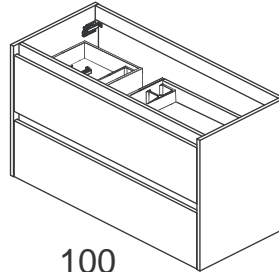
60
23 5/8"



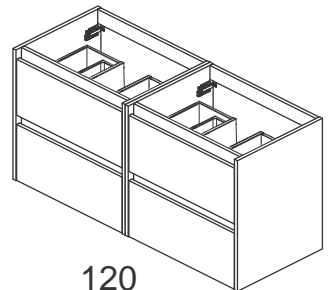
70
27 9/16"



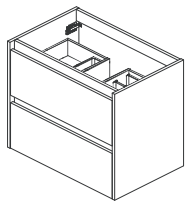
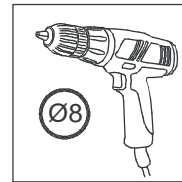
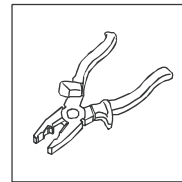
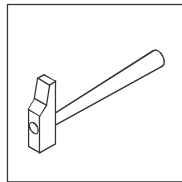
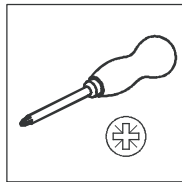
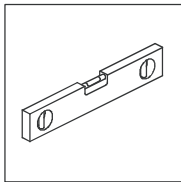
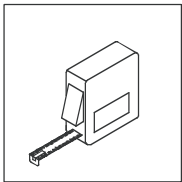
80
31 1/2"



100
39 3/8"



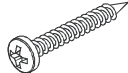
120
47 1/4"



x2



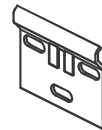
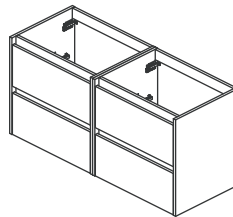
x4



x4

60/70/80/100
23 5/8" 27 9/16" 31 1/2" 39 3/8"

BO-719



x2



x4



x4



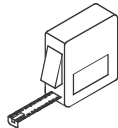
x2

120
47 1/4"

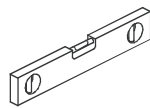
BO-719

BO-266

01.



cms.



1 2/16"
2,9cms.

1 2/16"
2,9cms.



H+44,5cms.

H+17 8/16"

H

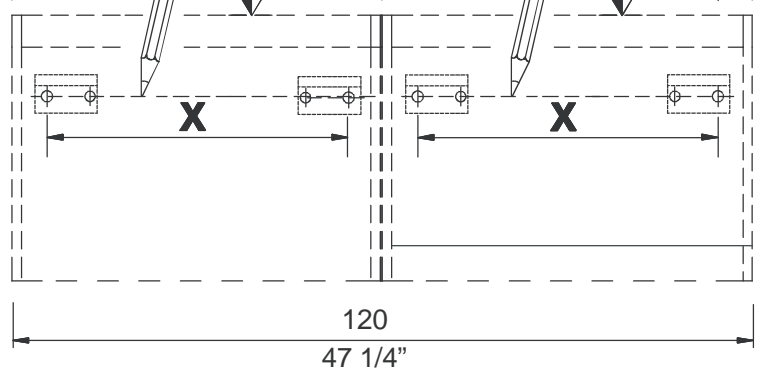
L

56,5 cms.
22 1/4"

1 2/16"
2,9cms.

1 2/16"
2,9cms.

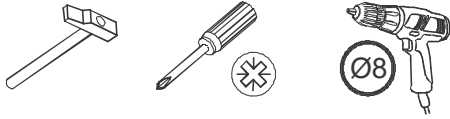
1 2/16"
2,9cms.



L:60cms.	→ X=53,7cms.
L:70cms.	→ X=63,7cms.
L:80cms.	→ X=73,7cms.
L:100cms.	→ X=93,7cms.
L:120cms.	→ X=53,7cms.

L:23 5/8"	→ X=21 2/16"
L:27 9/16"	→ X=25 1/16"
L:31 1/2"	→ X=29 0/16"
L:39 3/8"	→ X=36 14/16"
L:47 1/4"	→ X=21 2/16"

02.

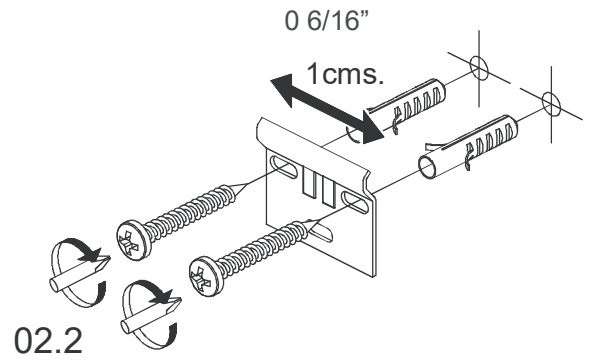
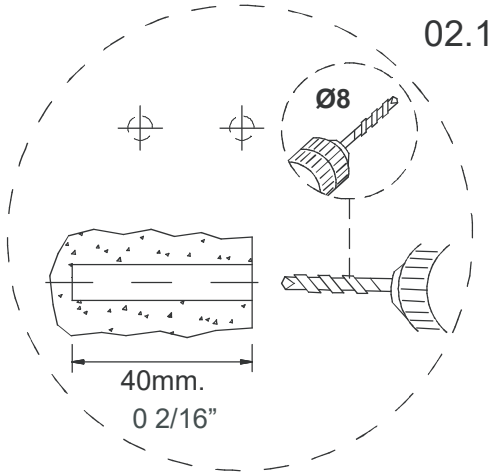


23 5/8" 27 9/16" 31 1/2" 39 3/8"
 MLV-60/70/80/100 —————x2
 MLV-120 —————x4
 47 1/4"

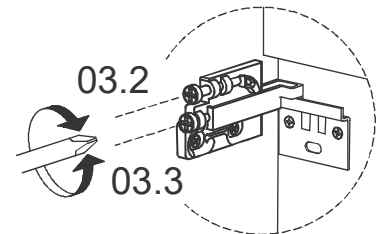
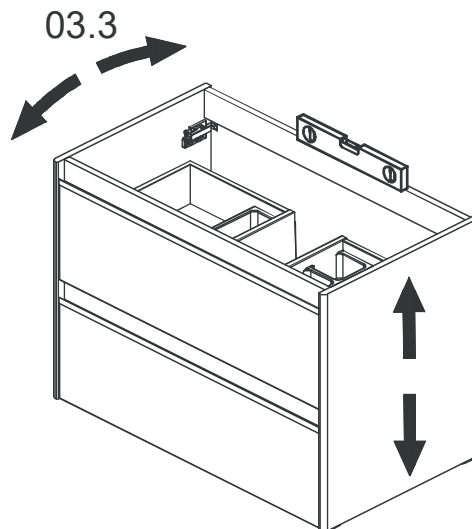
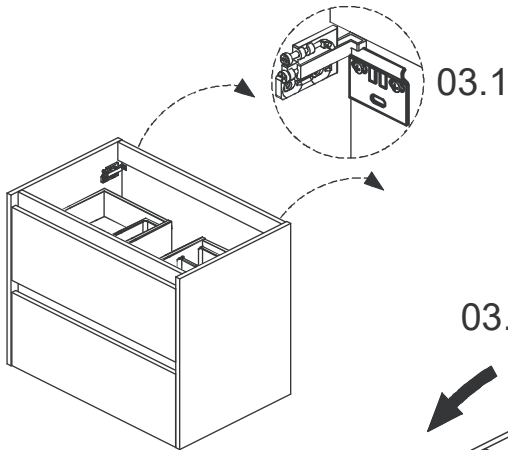
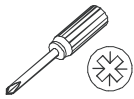


x4
 x4
 x8
 x8

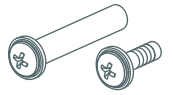
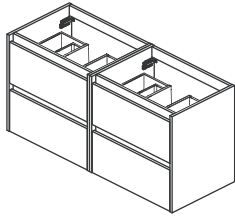
BO-719



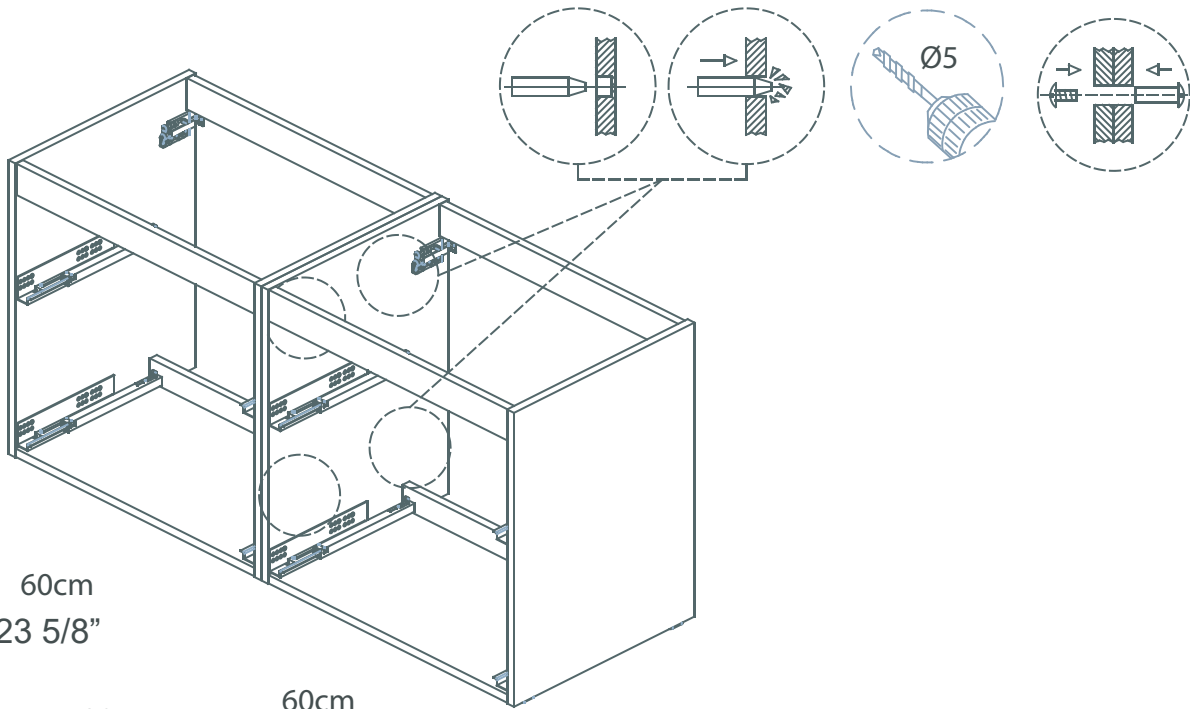
03.



04.



T2x2

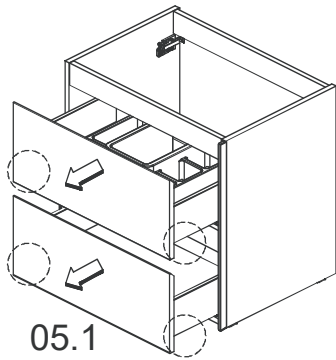


60cm
23 5/8"

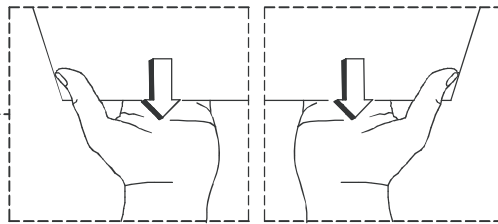
120cm
47 1/4"

60cm
23 5/8"

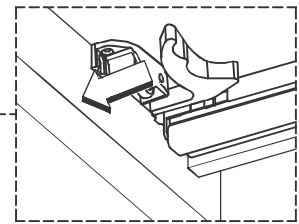
05.



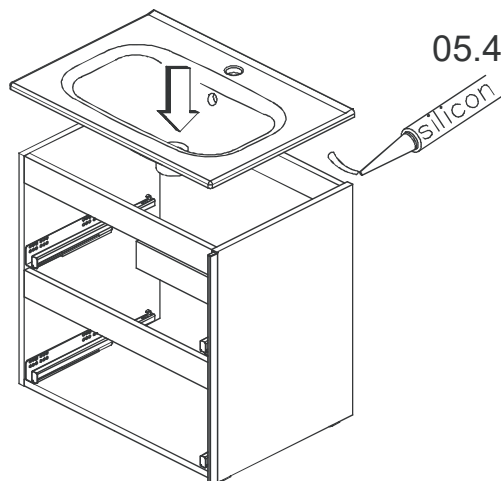
05.1



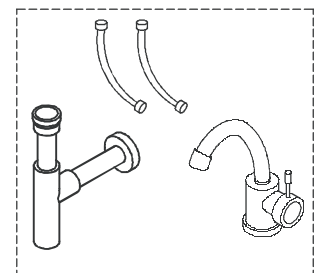
05.2



05.3

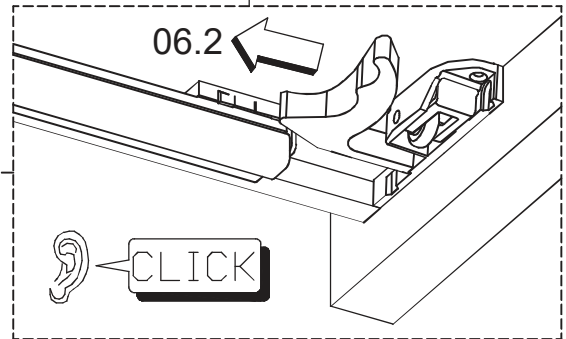
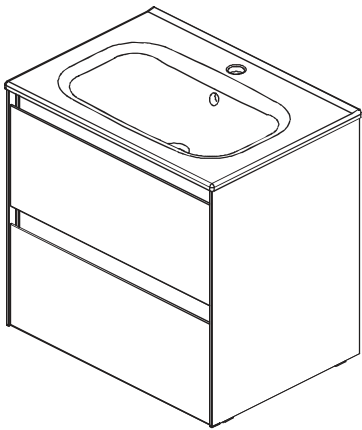
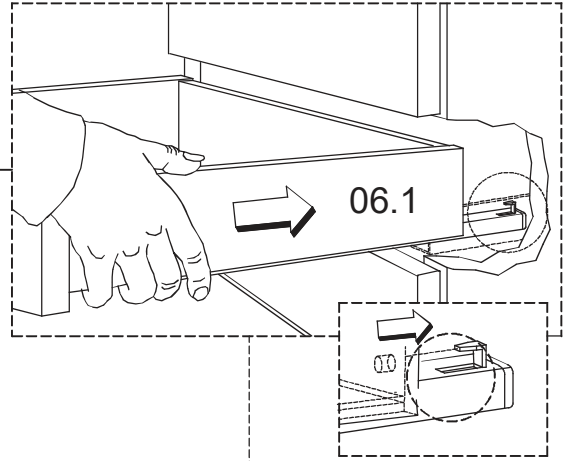
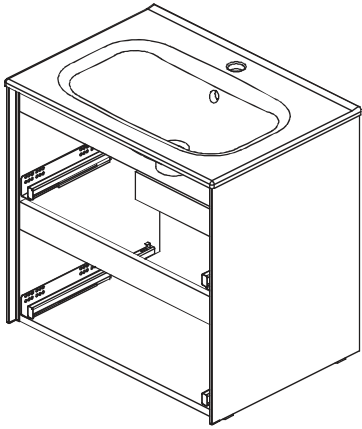


05.4

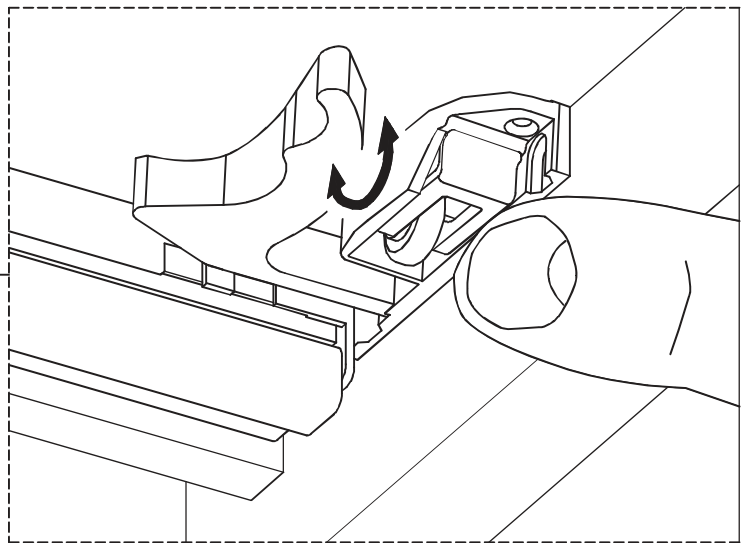
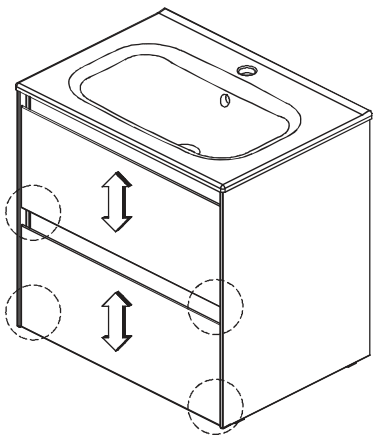


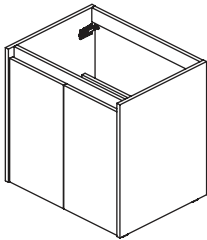
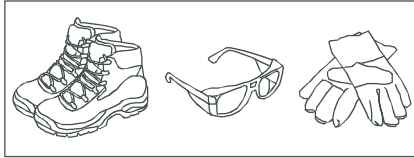
05.5

06.

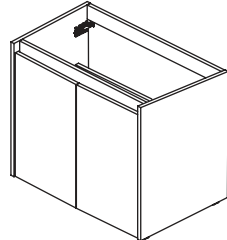


07.

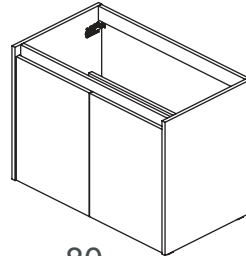




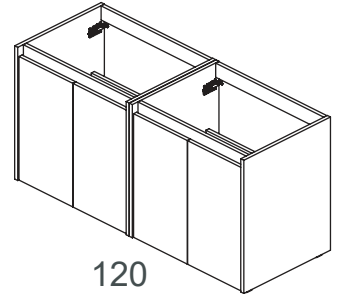
60
23 5/8"



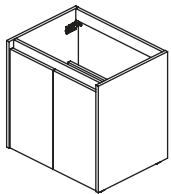
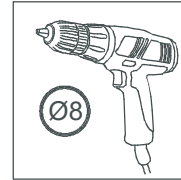
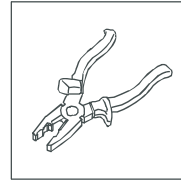
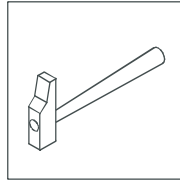
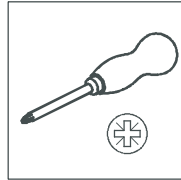
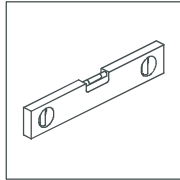
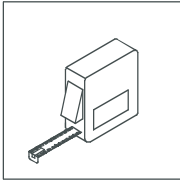
70
27 9/16"



80
31 1/2"



120
47 1/4"



60/70/80/
23 5/8" 27 9/16" 31 1/2"



x2

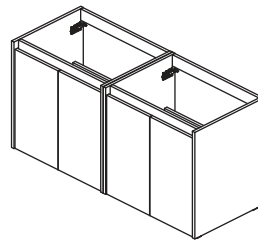


x4

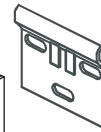


x4

BO-719



120
47 1/4"



x2



x4



x4

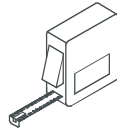


x2

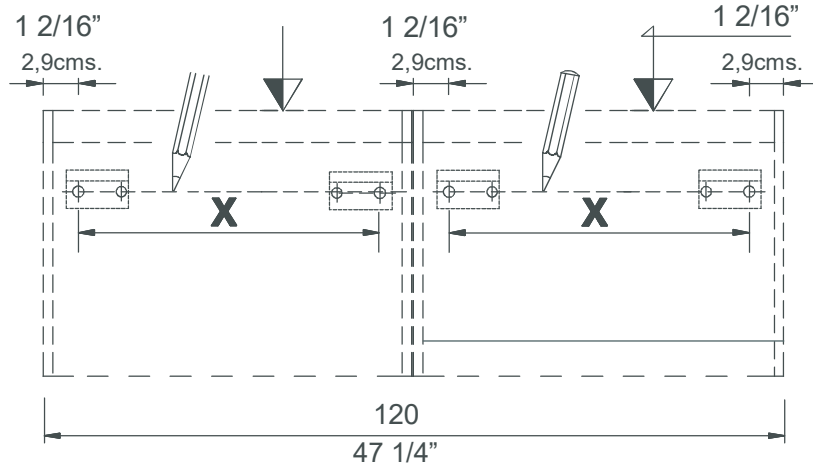
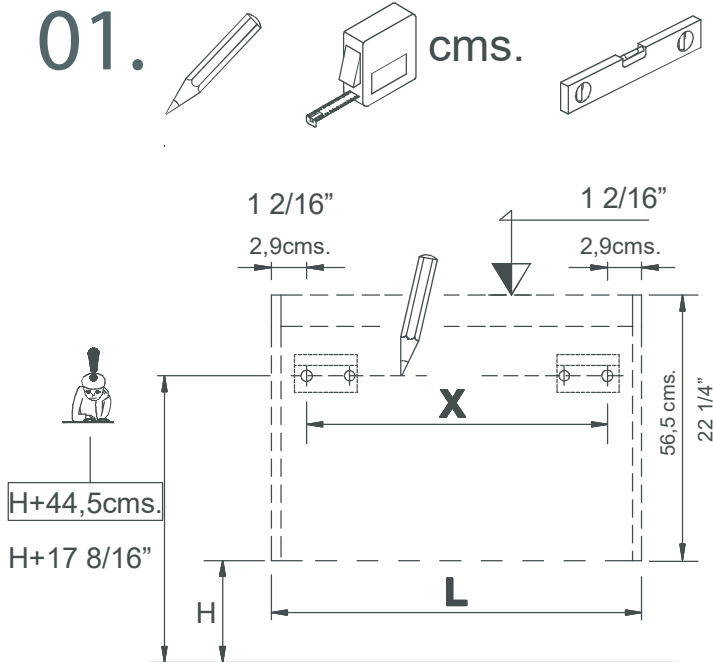
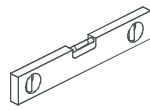
BO-719

BO-266

01.



cms.



L:60cms.	→	X=53,7cms.
L:70cms.	→	X=63,7cms.
L:80cms.	→	X=73,7cms.
L:120cms.	→	X=53,7cms.

L:23 5/8"	→	X=21 2/16"
L:27 9/16"	→	X=25 1/16"
L:31 1/2"	→	X=29 0/16"
L:47 1/4"	→	X=21 2/16"

02.



23 5/8" 27 9/16" 31 1/2" 39 3/8"
 MLV-60/70/80/100 ————— x2
 MLV-120 ————— x4
 47 1/4"



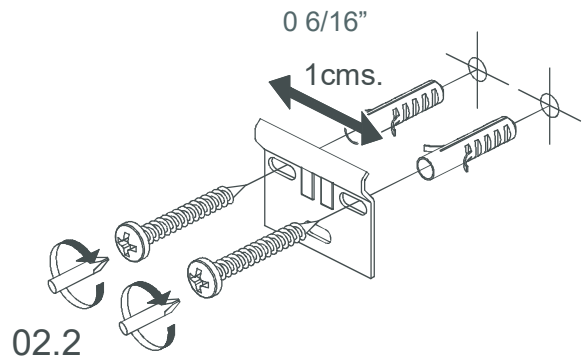
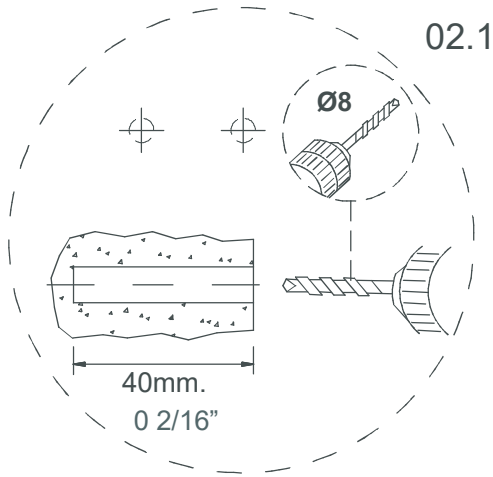
x4

x4

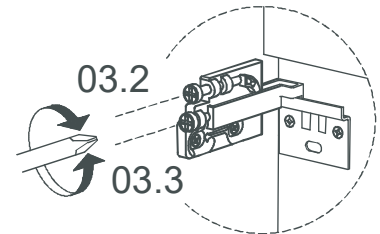
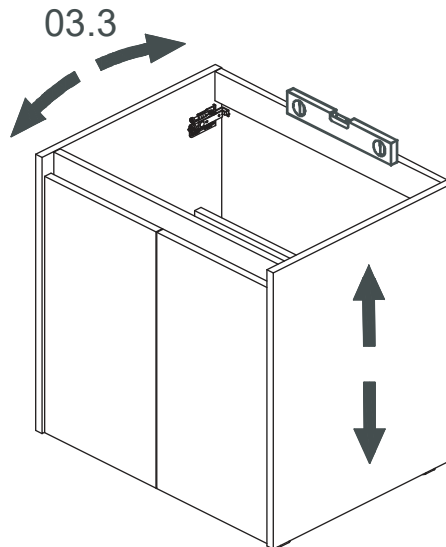
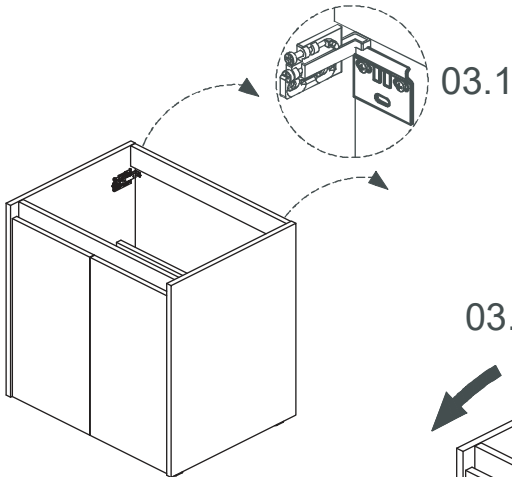
x8

x8

BO-719



03.

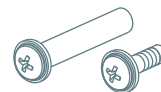
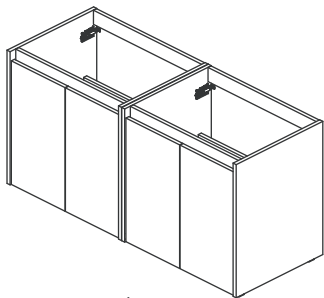


03.2

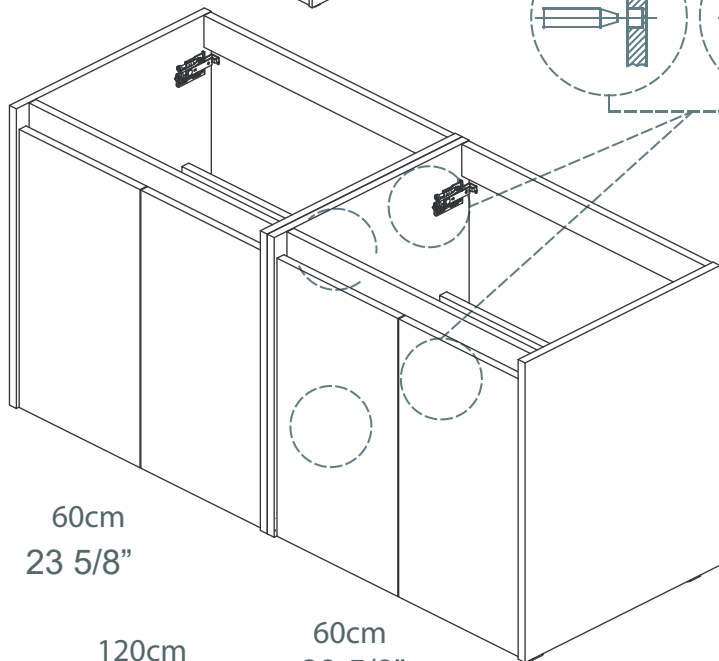
±1cms.

0 6/16"

04.



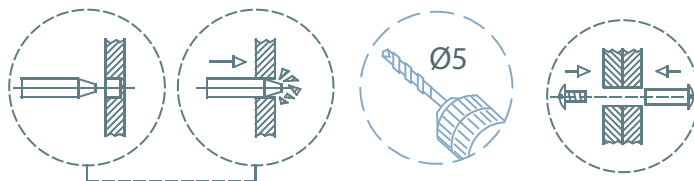
T2x2



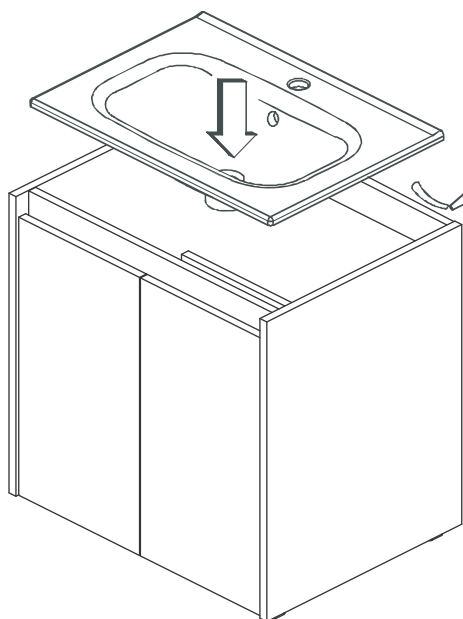
60cm
23 5/8"

120cm
47 1/4"

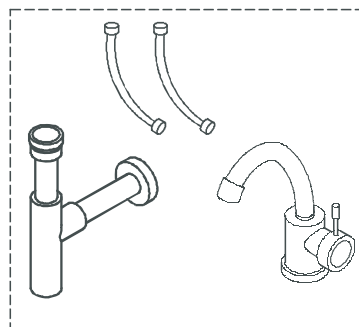
60cm
23 5/8"



05.

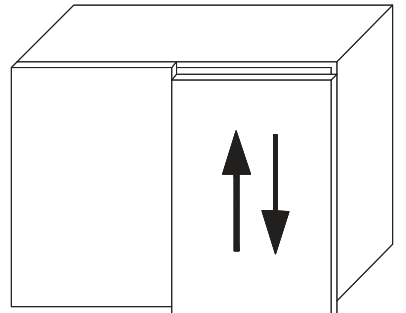
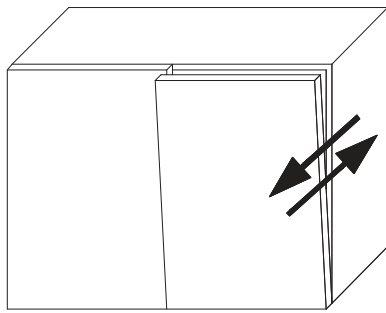
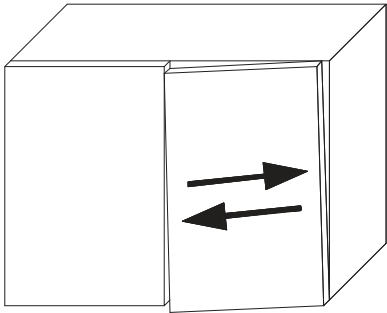
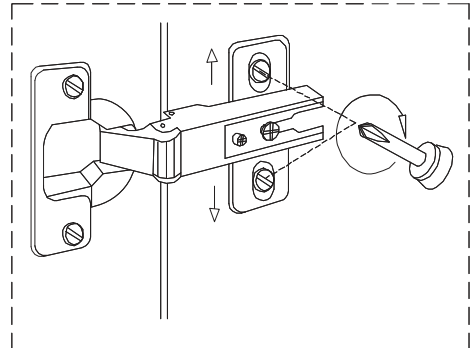
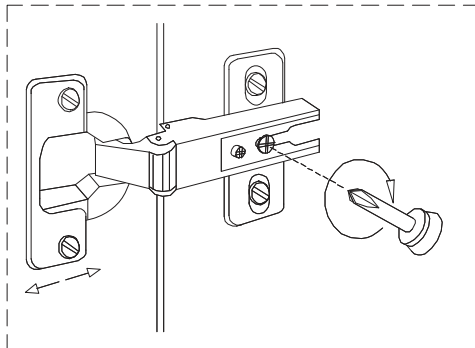
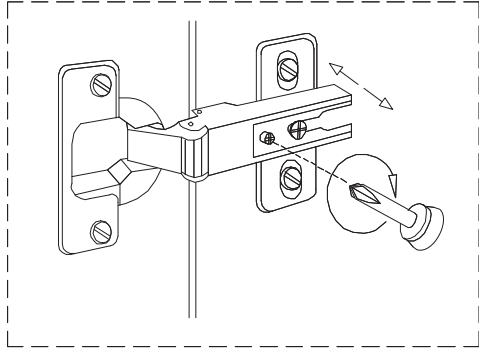


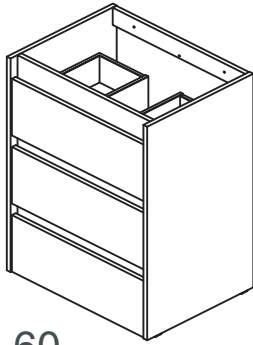
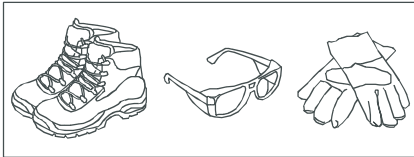
05.1



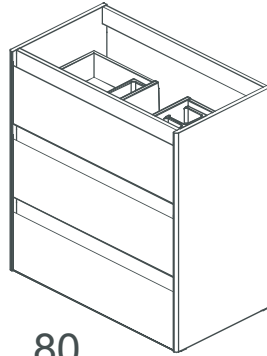
05.2

06.

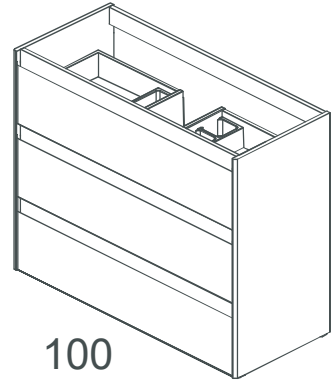




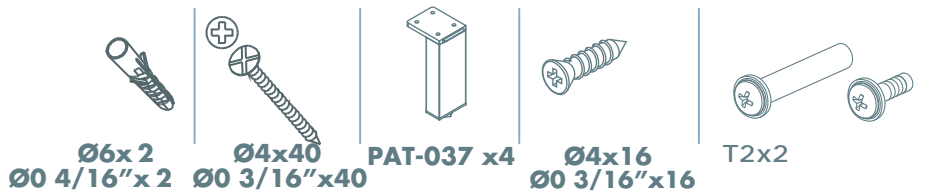
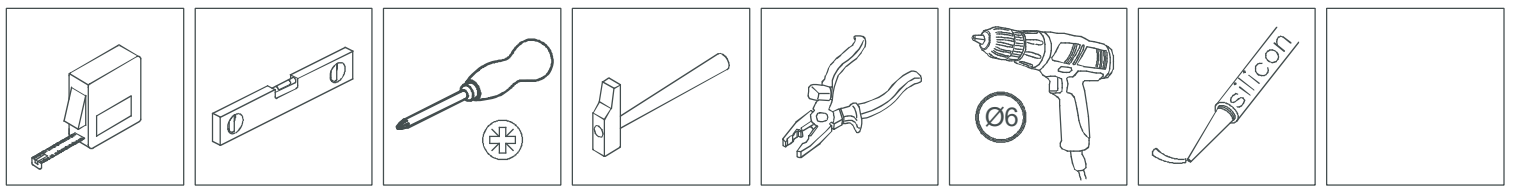
60
23 5/8"



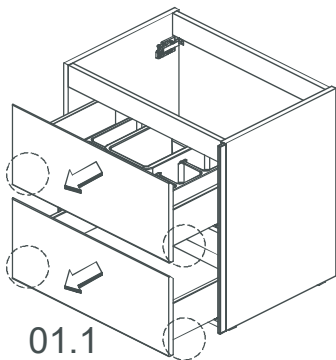
80
31 1/2"



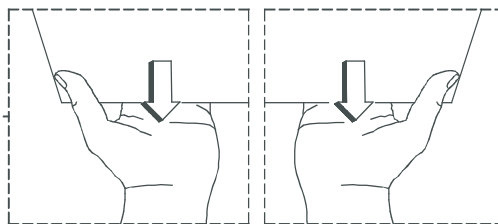
100
39 3/8"



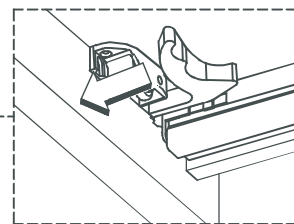
01.



01.1

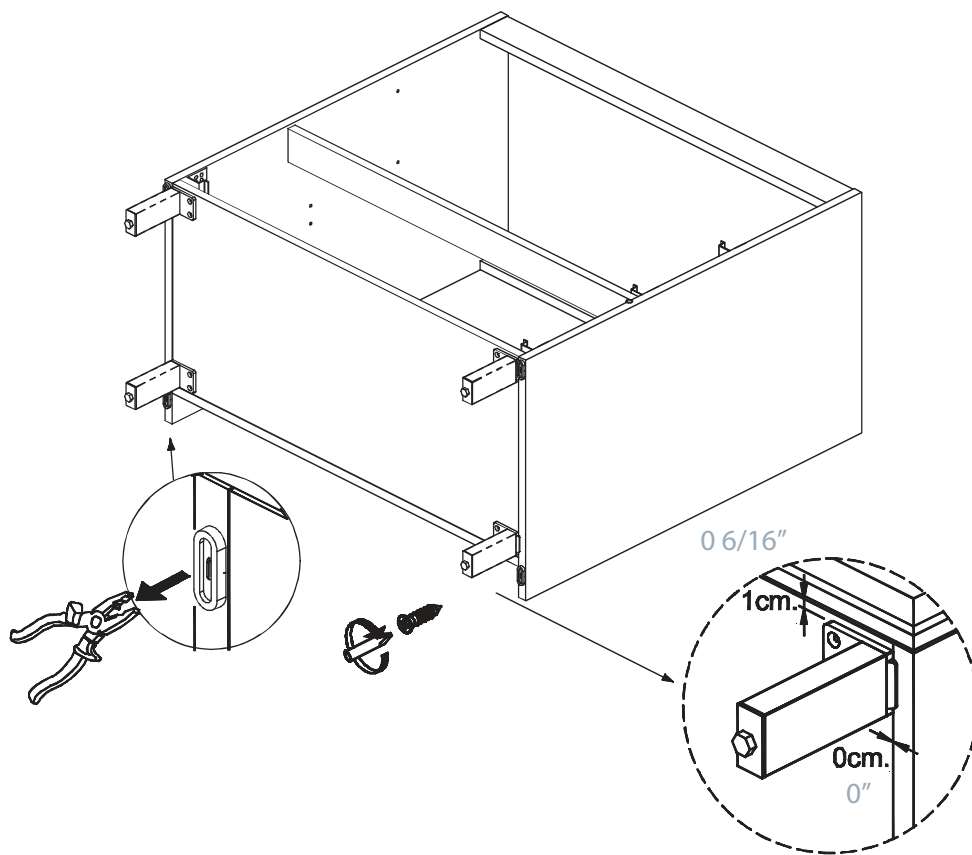
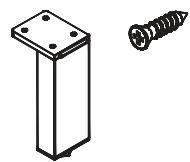
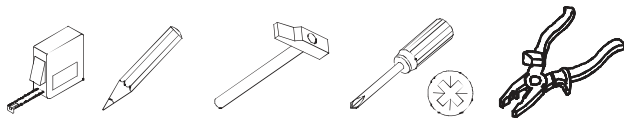


01.2

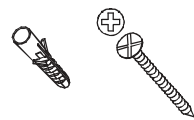
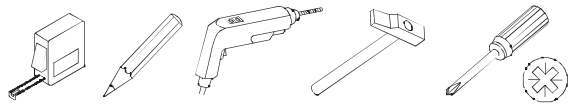


01.3

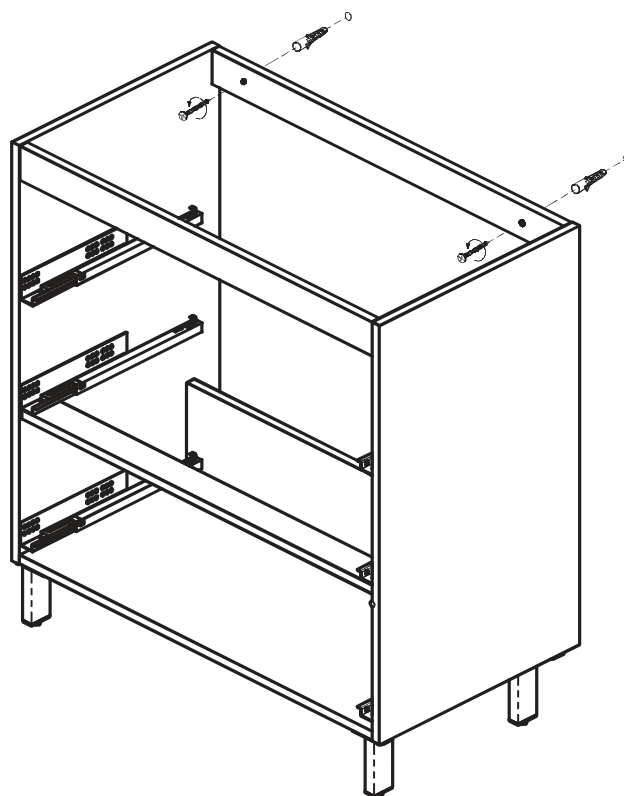
02.



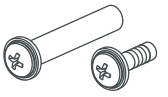
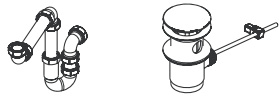
03.



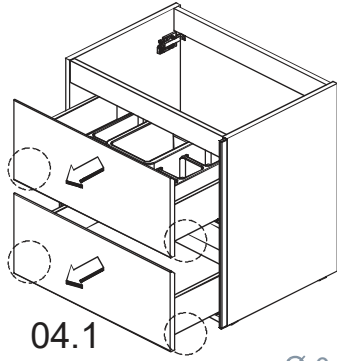
Ø6x2 Ø4x40



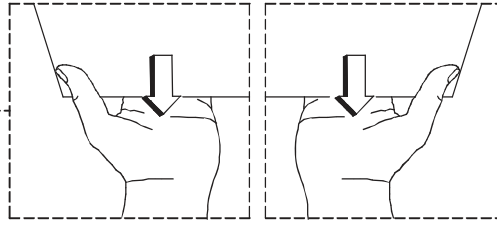
04.



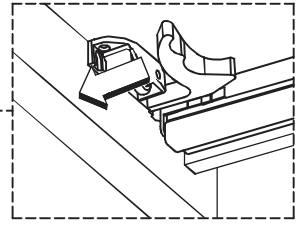
T2x2(x2)



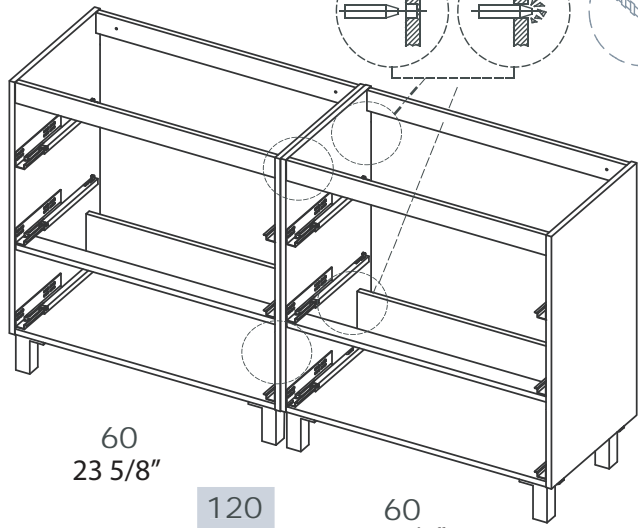
04.1



04.2



04.3

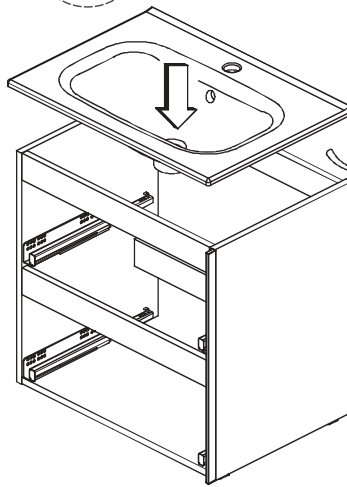
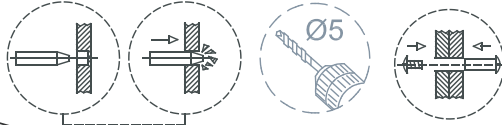


60
23 5/8"

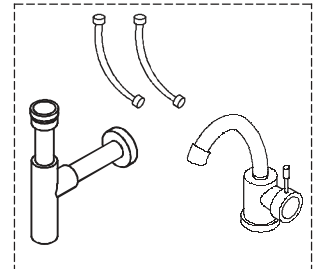
120
47 1/4"

60
23 5/8"

Ø 03/16"

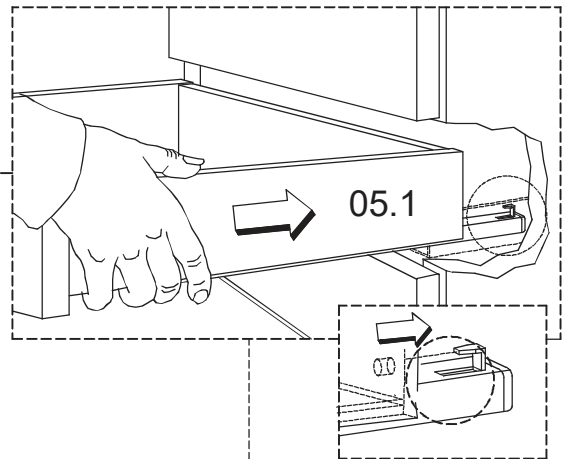
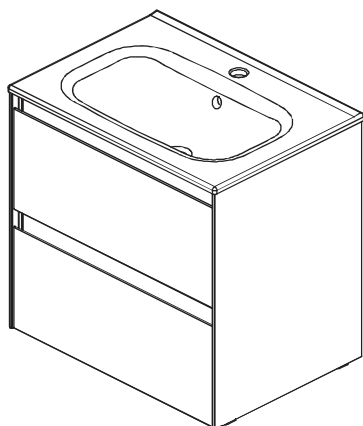
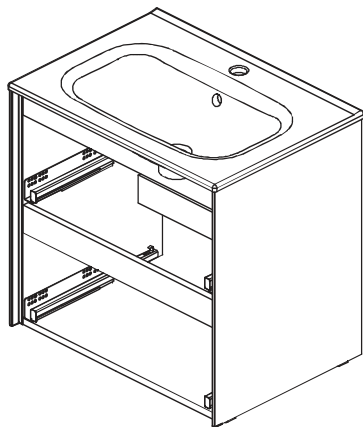


04.4

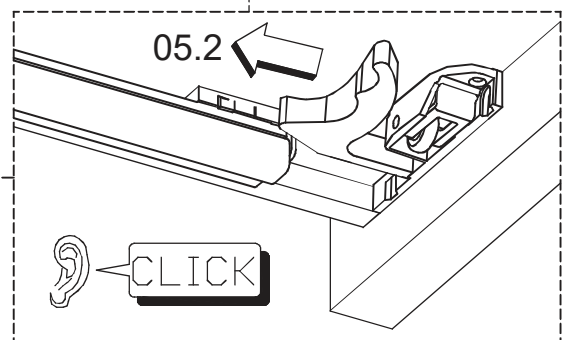


04.5

05.



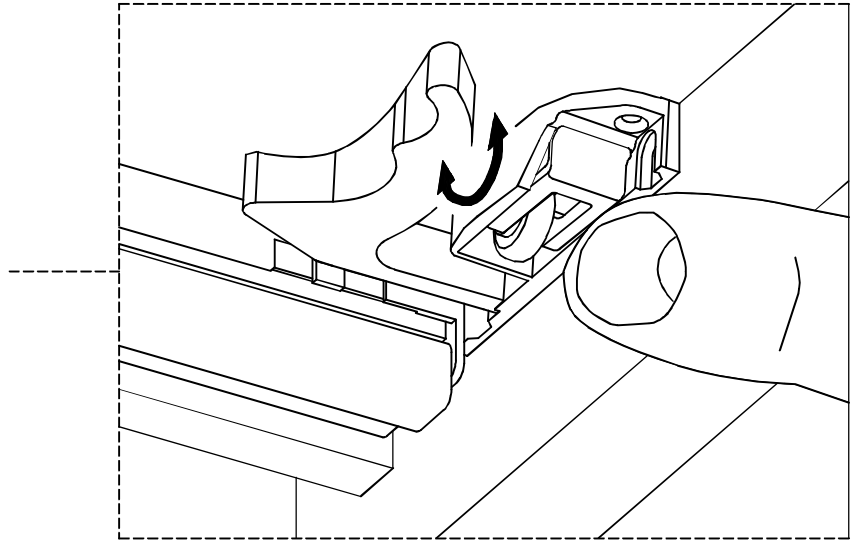
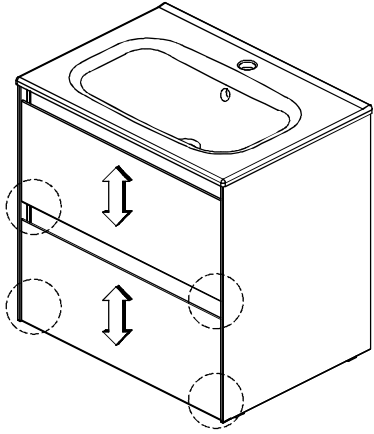
05.1

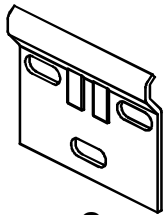
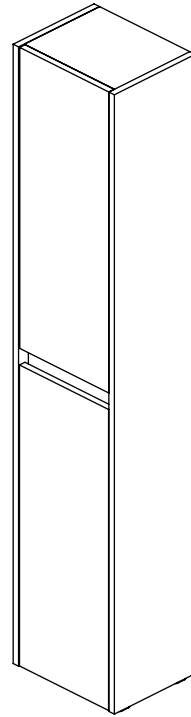
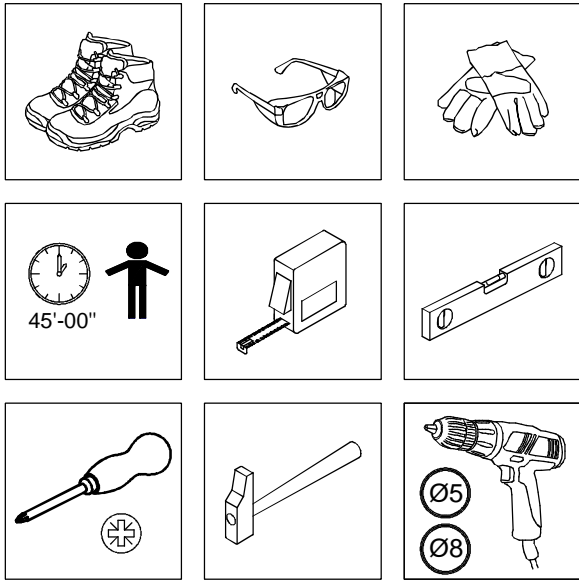


05.2

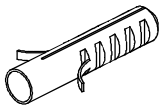
CLICK

06.

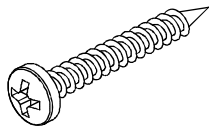




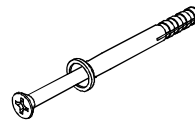
x2



x4



x4



x1



x1



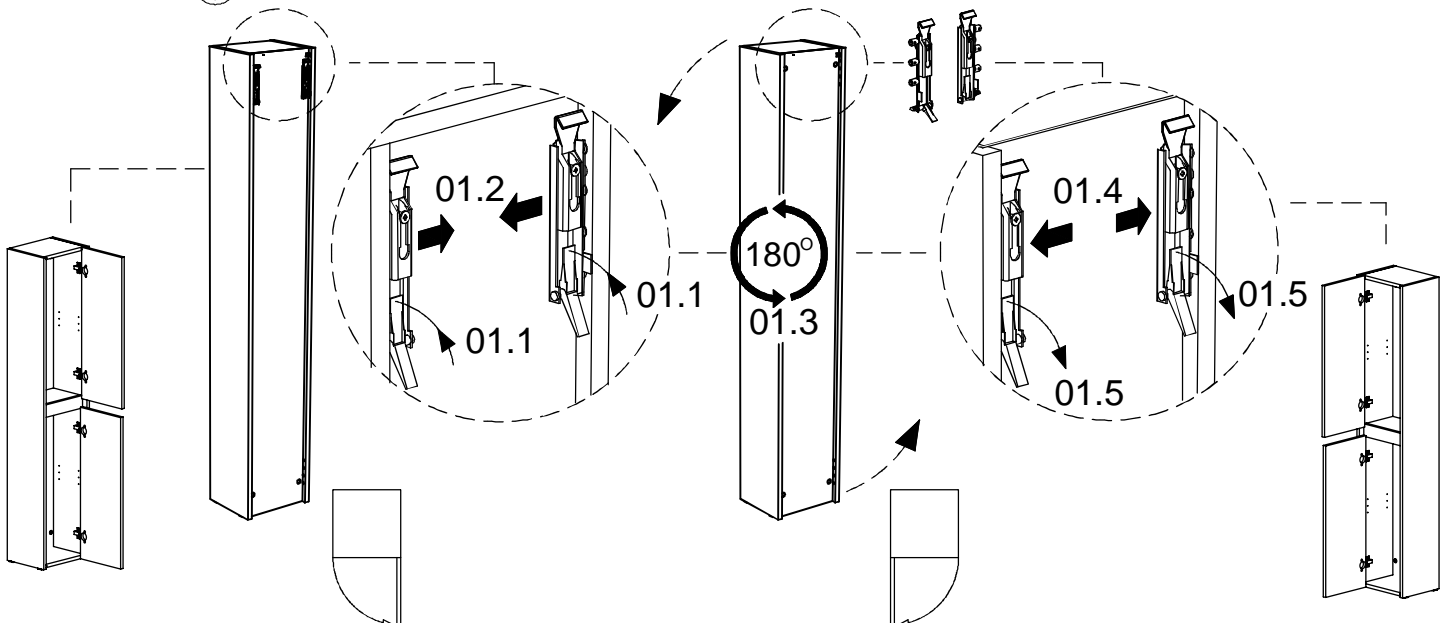
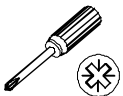
x8



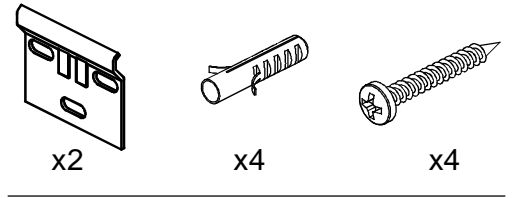
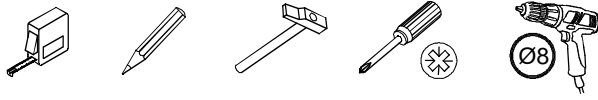
BO-719

BO-630

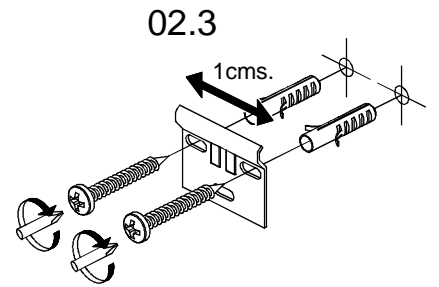
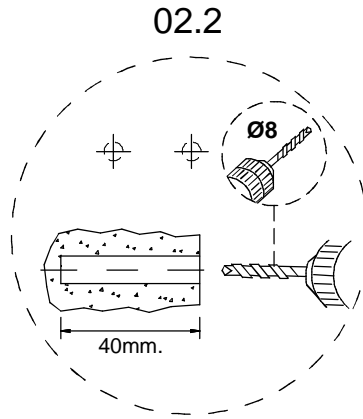
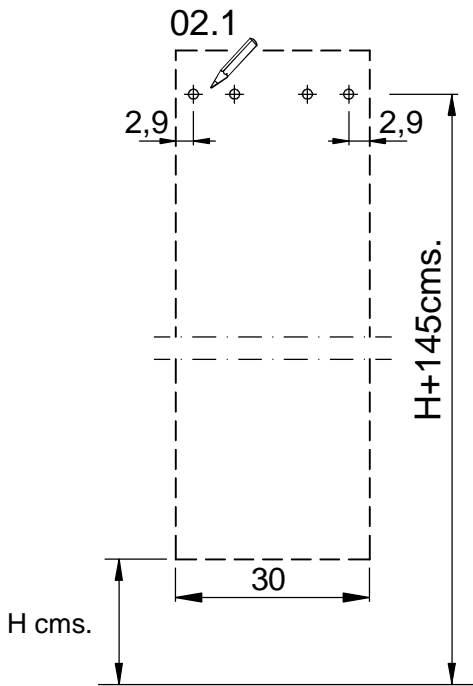
01.



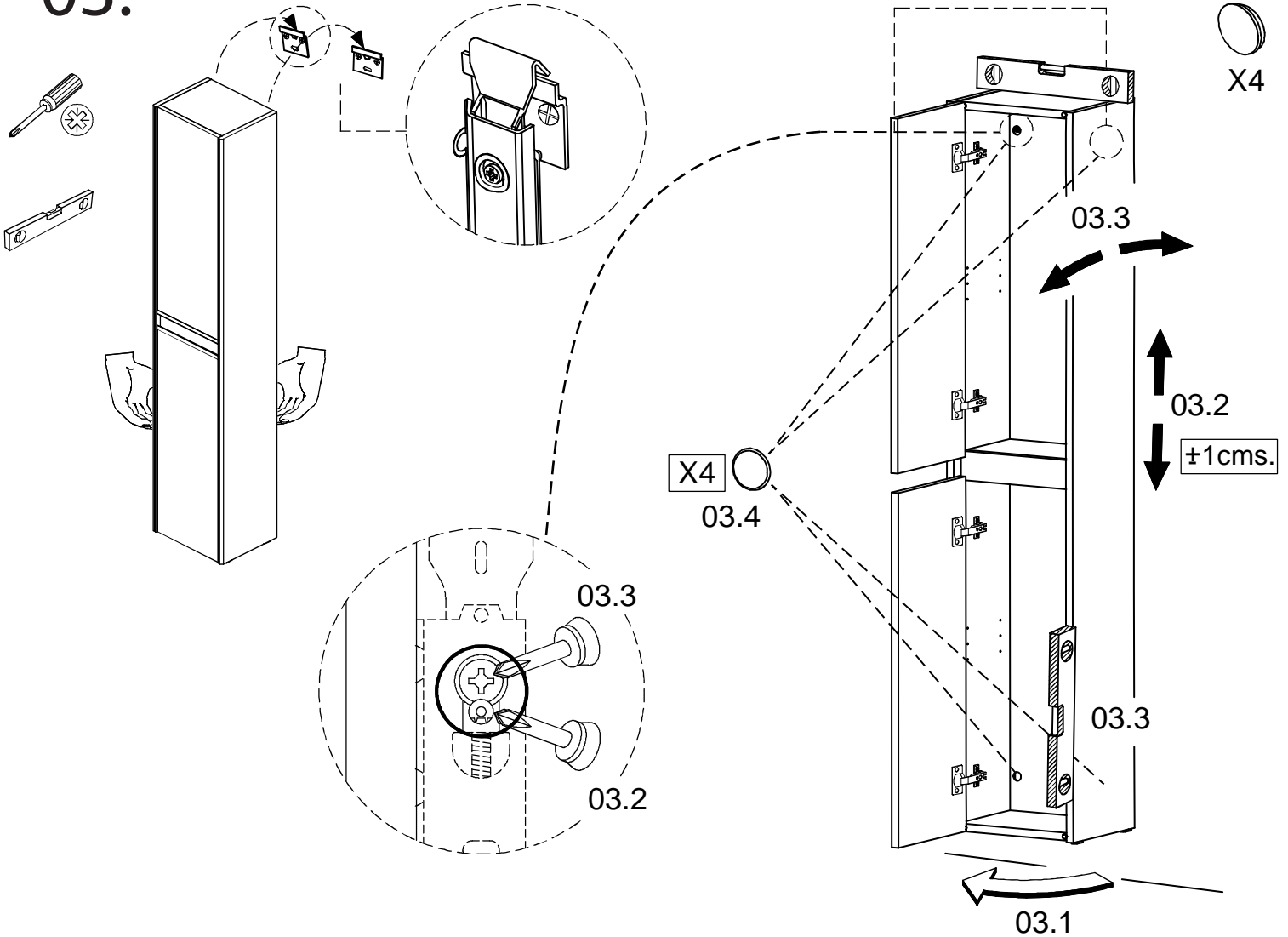
02.



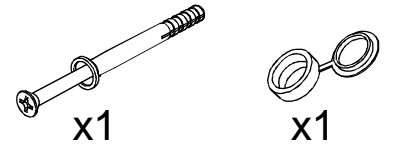
BO-719



03.



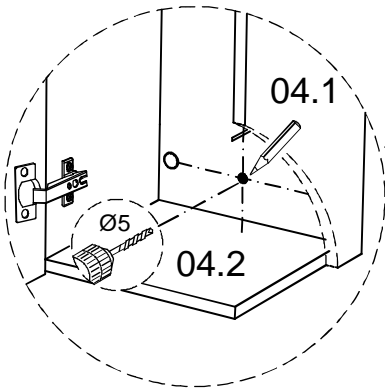
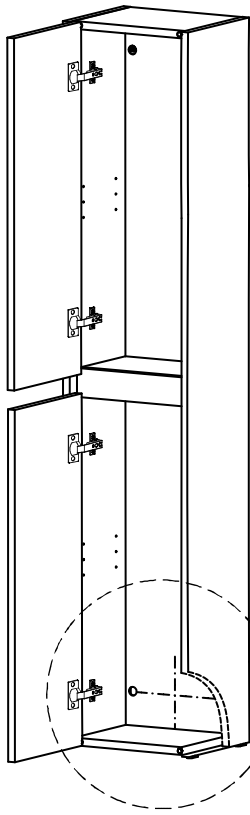
04.



x1

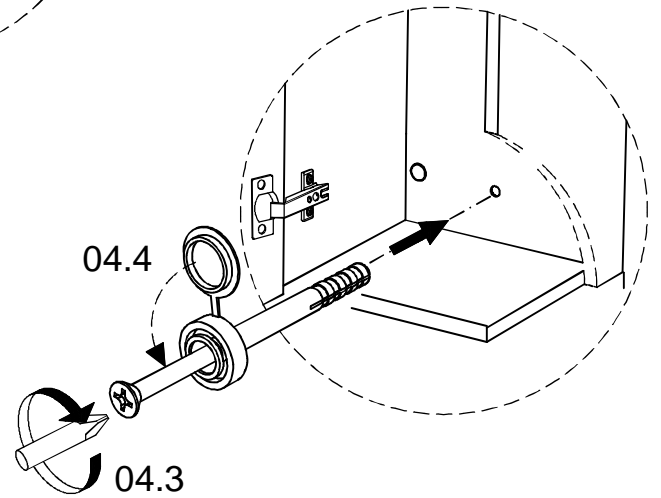
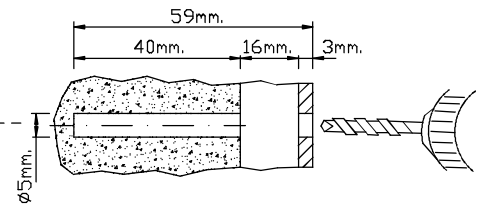
x1

BO-630



04.1

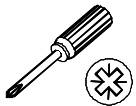
04.2



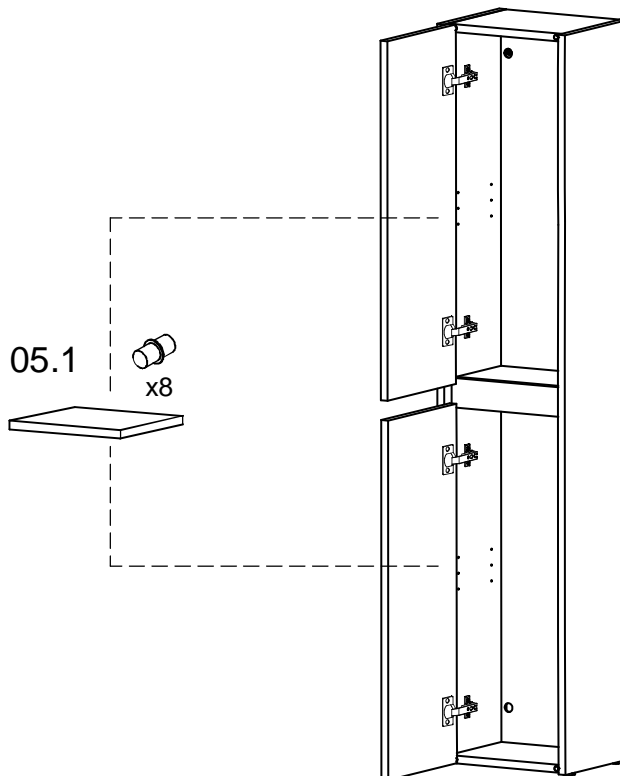
04.3

04.4

05.



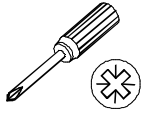
x8



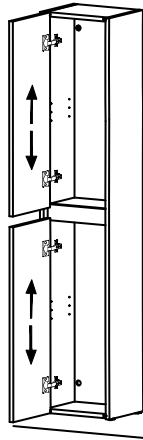
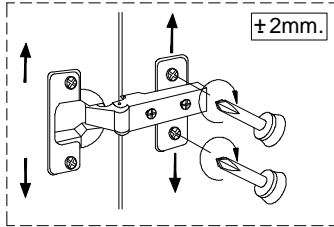
05.1

x8

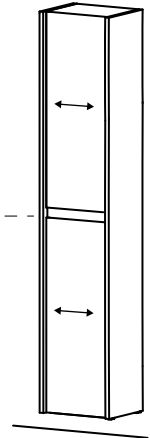
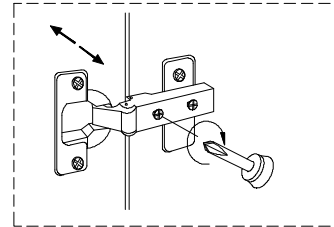
06.



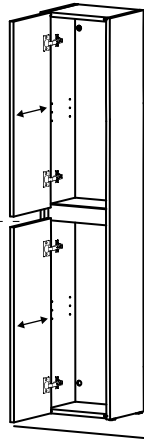
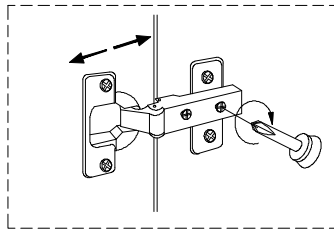
06.1



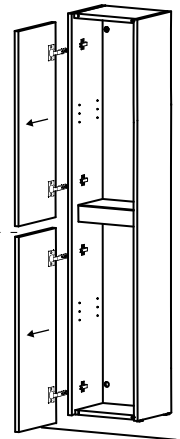
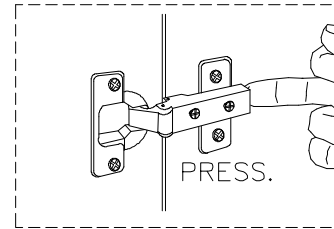
06.2



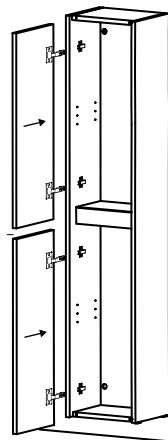
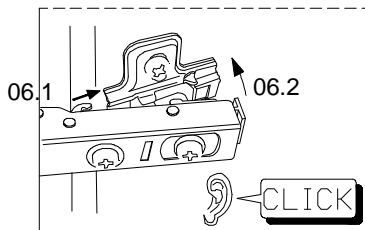
06.3

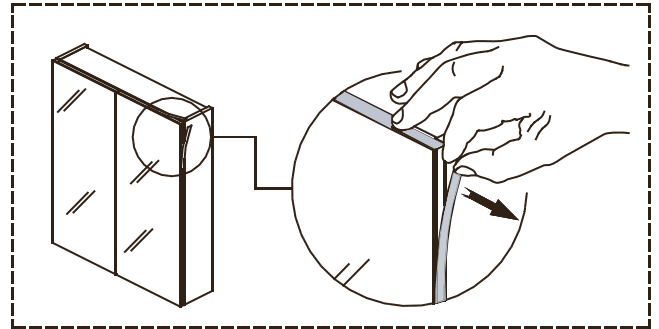
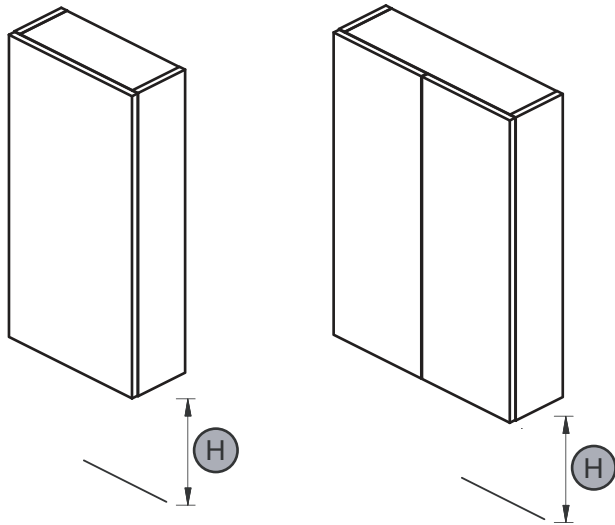


06.4

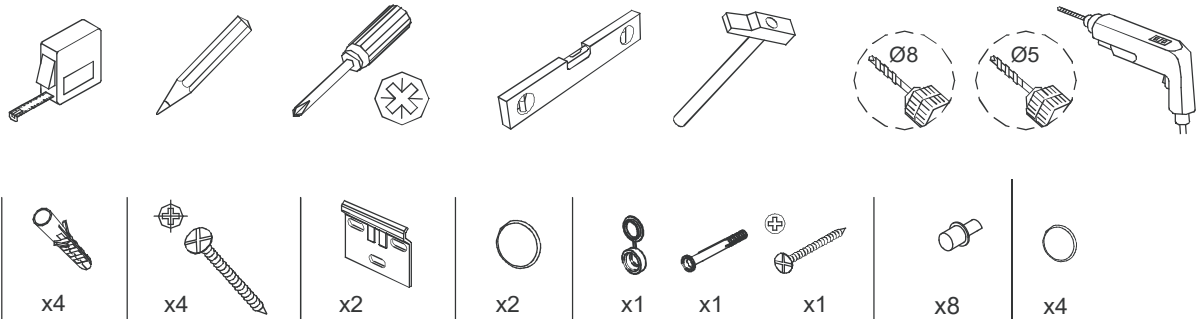


06.5

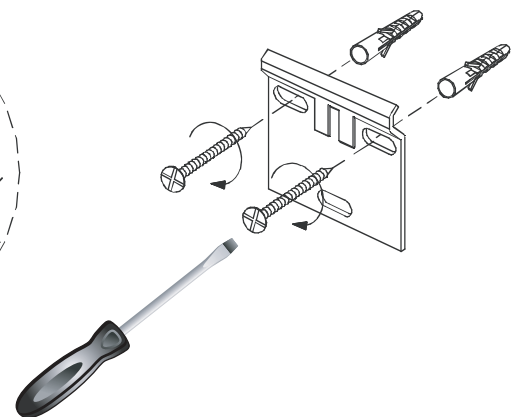
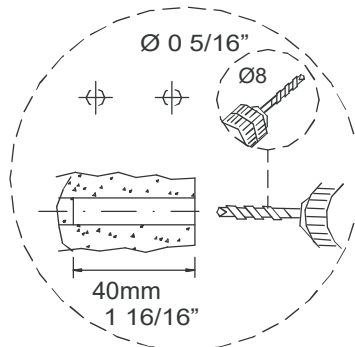
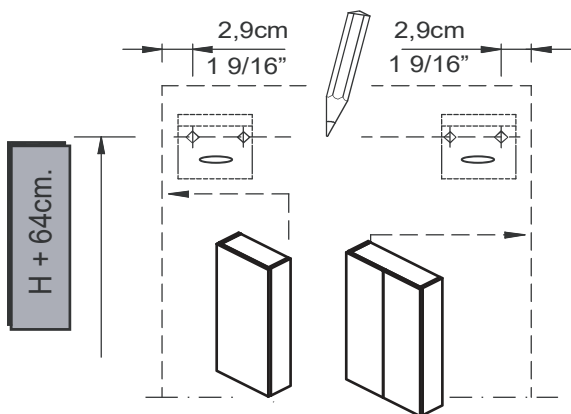
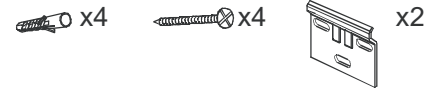
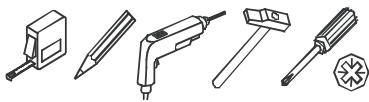




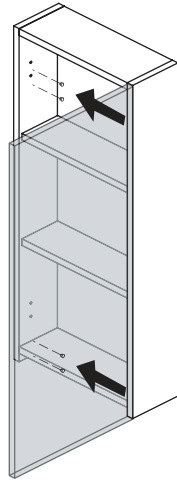
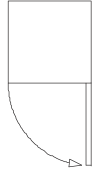
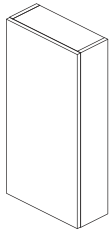
0-30'-00"



01.

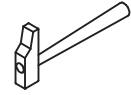


02.

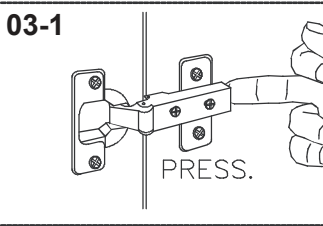
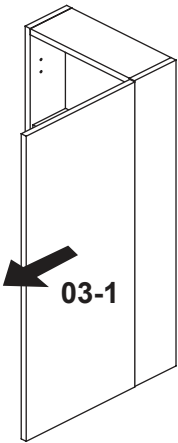
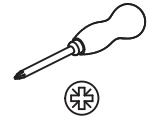
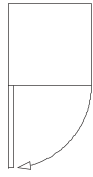
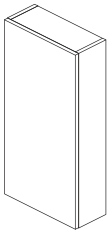


02-1

02-1



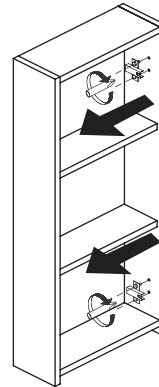
03.



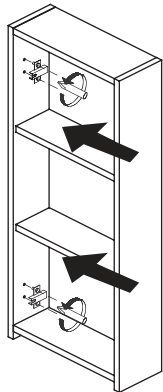
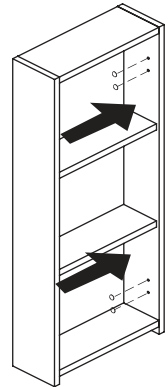
03-1

PRESS.

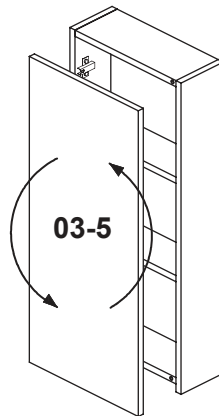
03-2



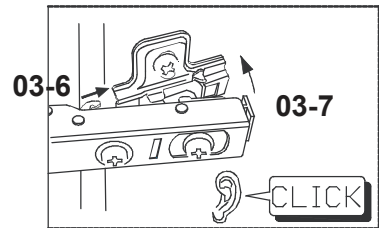
03-3



03-4



03-5

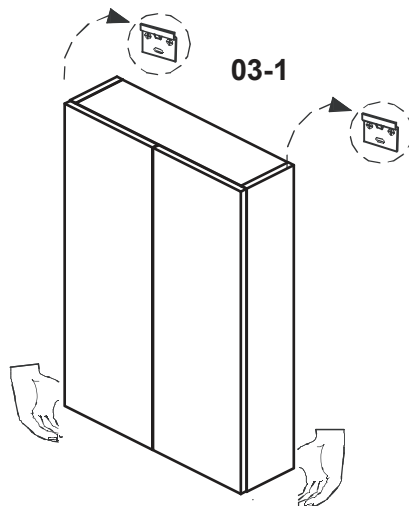


03-6

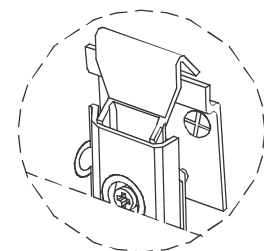
03-7

CLICK

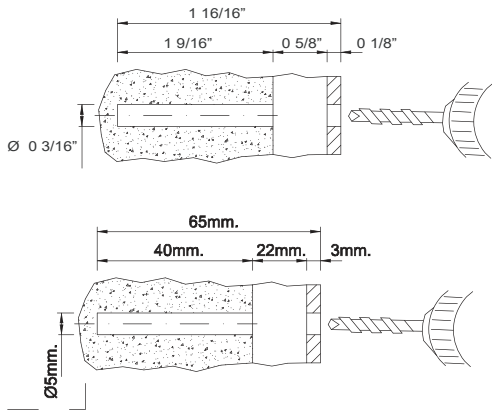
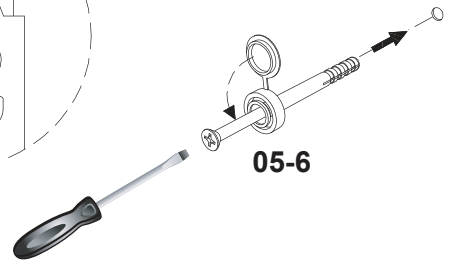
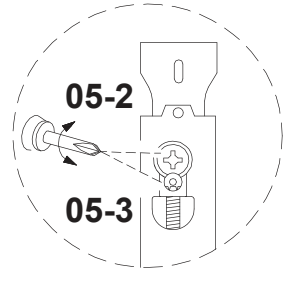
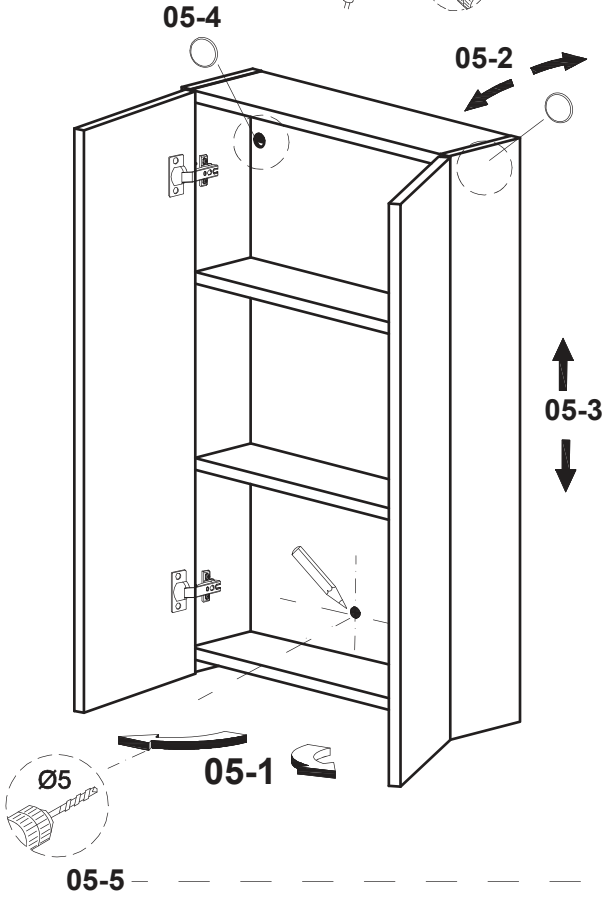
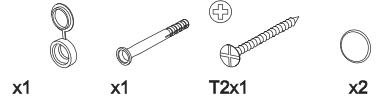
04.



03-1



05.



06.

