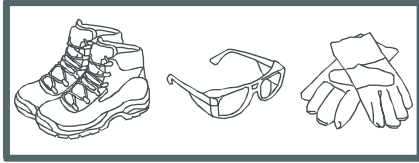
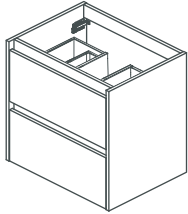


NEW BETA SUSPENDIDO

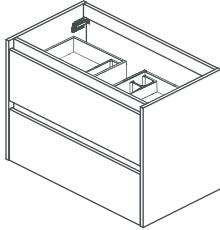
1171313
2019-056



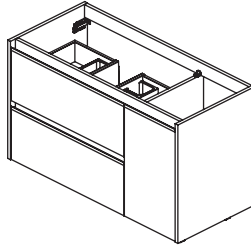
60



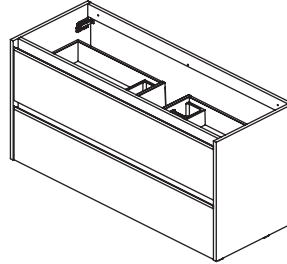
80



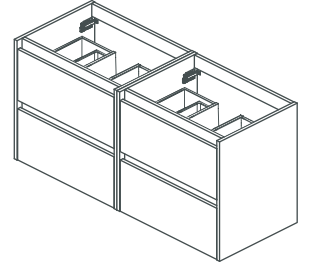
100



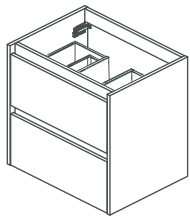
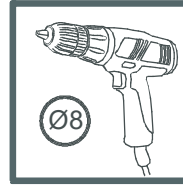
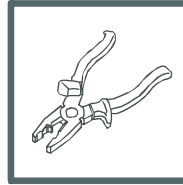
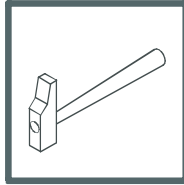
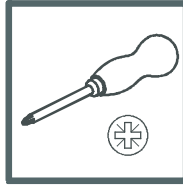
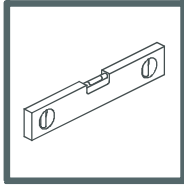
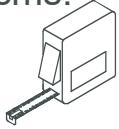
120



60+60



cms.



60-80-120



x2

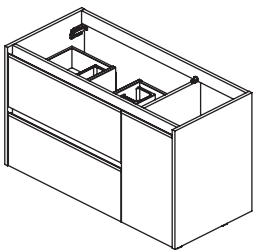


x4



x4

BO-719



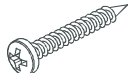
100



x3

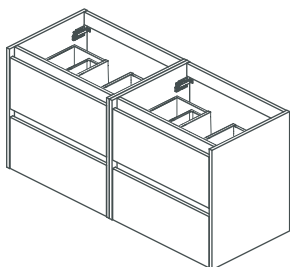


x6



x6

BO-719



60+60



x4



x8



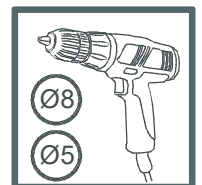
x8



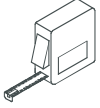
x4

BO-719

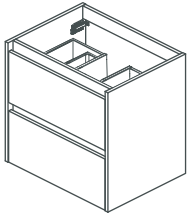
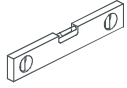
BO-266



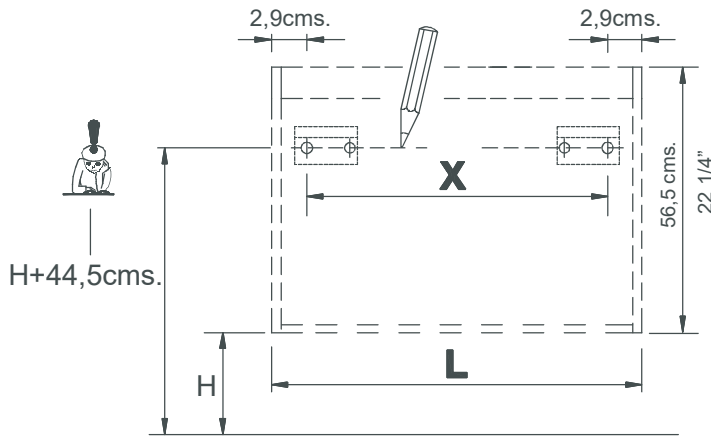
01.



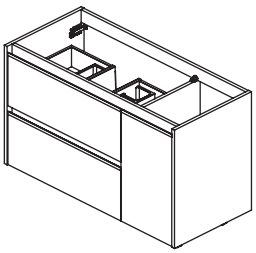
cms.



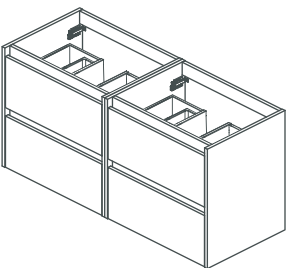
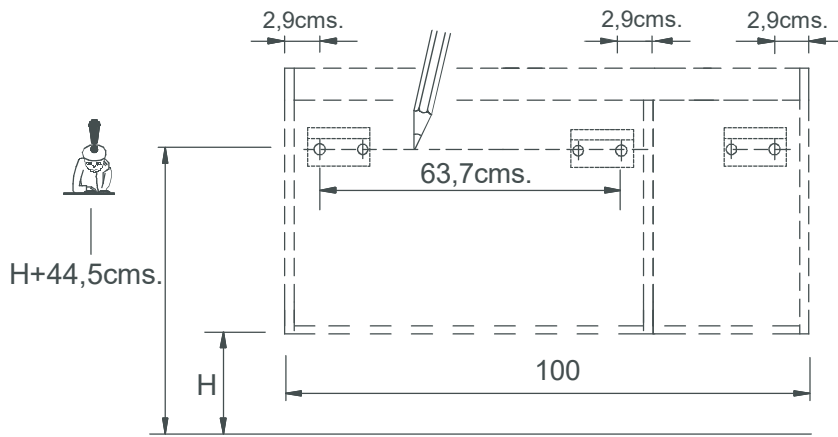
60-80-120



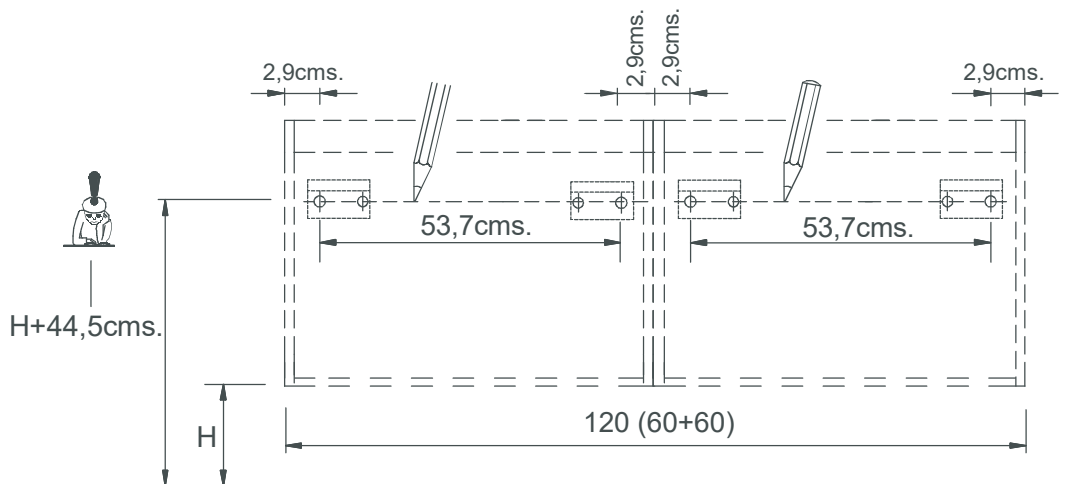
L:60cms.	→	X=53,7cms.
L:80cms.	→	X=73,7cms.
L:120cms.	→	X=113,7cms.



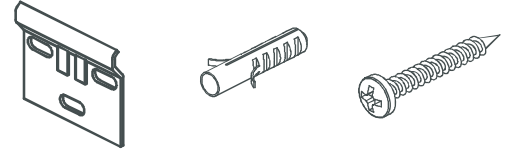
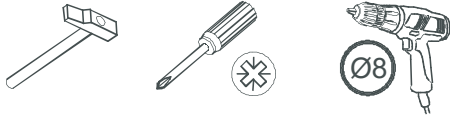
100



60+60

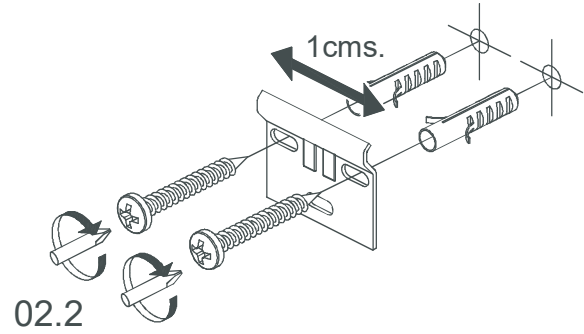
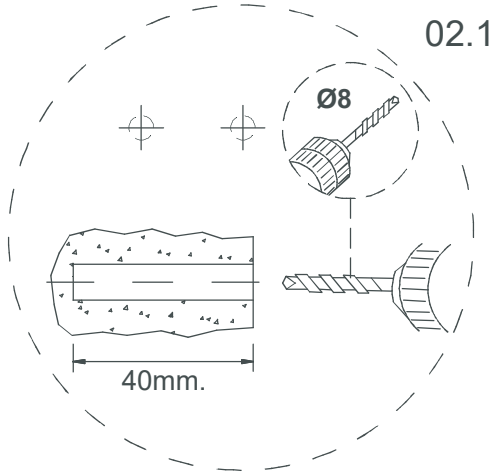


02.

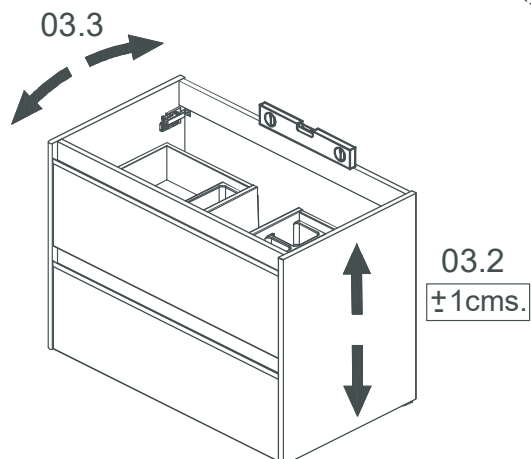
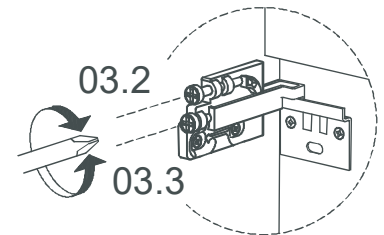
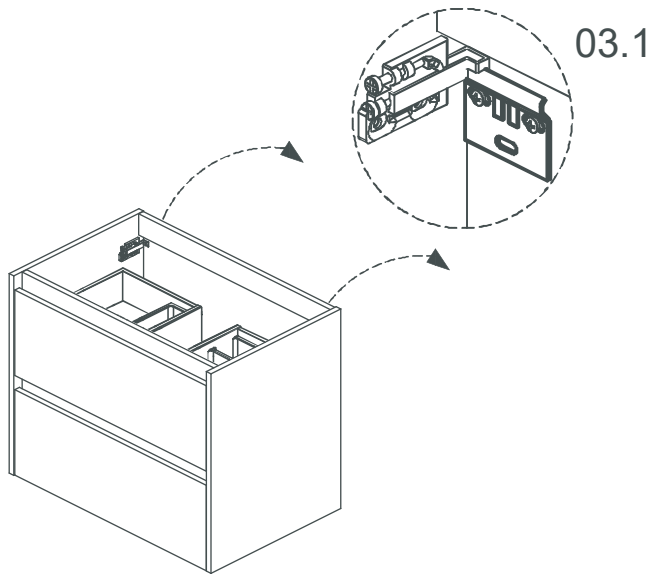
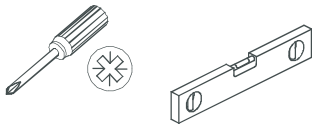


MLV-60/80/120	x2	x4	x4
MLV-100	x3	x6	x6
MLV-60+60	x4	x8	x8

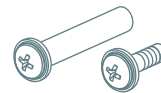
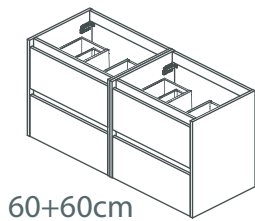
BO-719



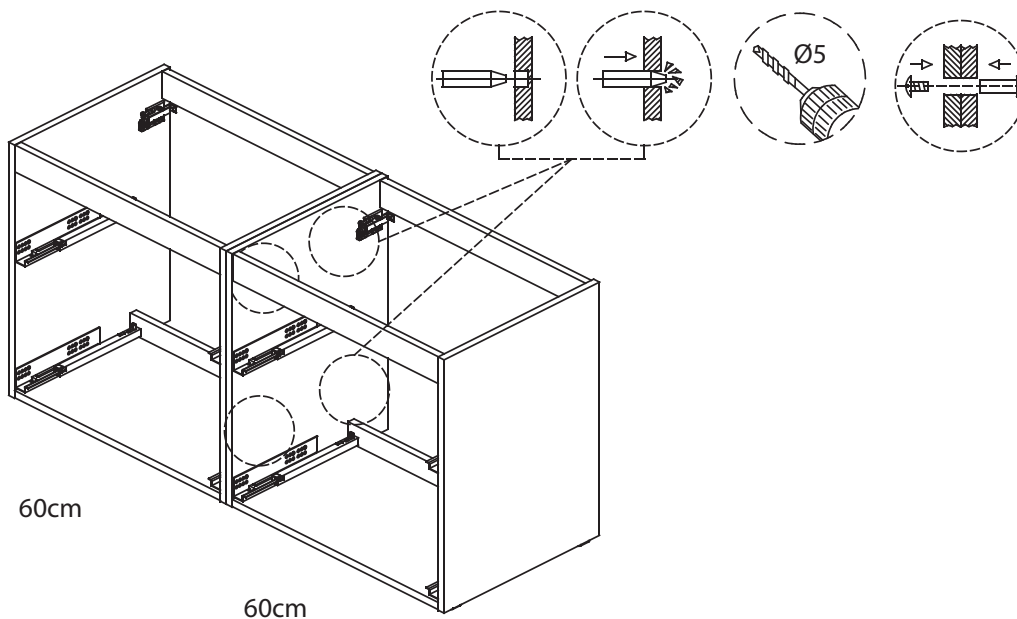
03.



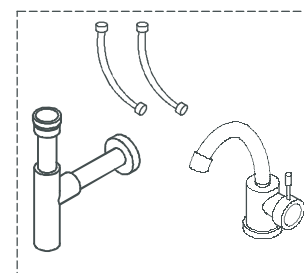
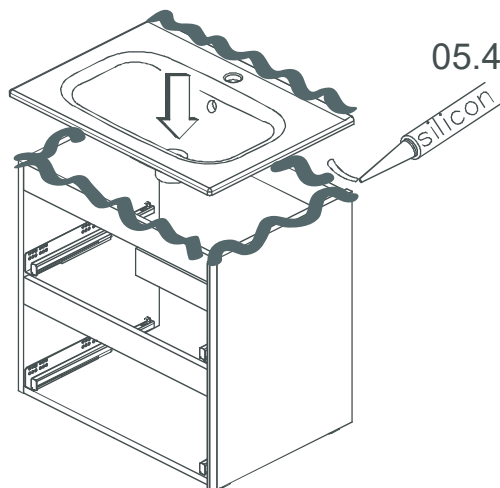
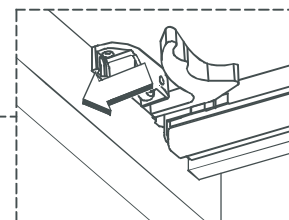
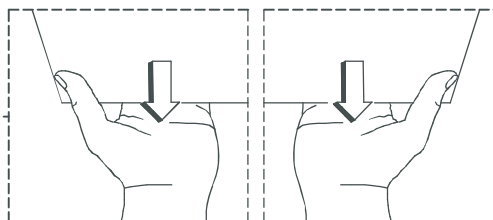
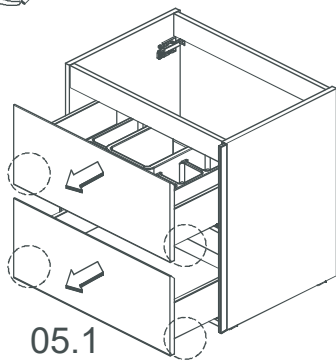
04.



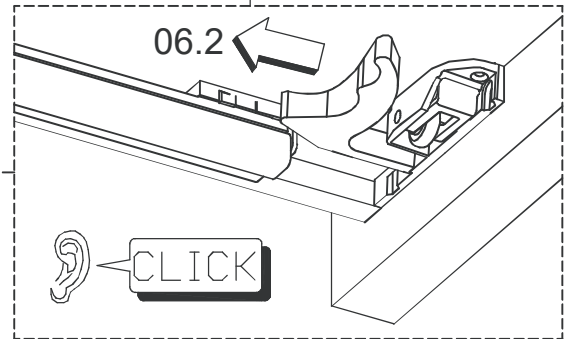
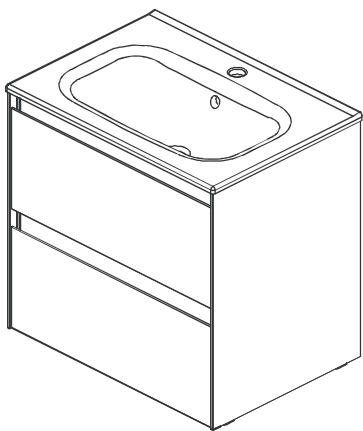
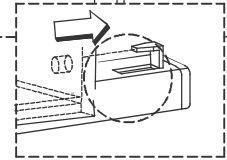
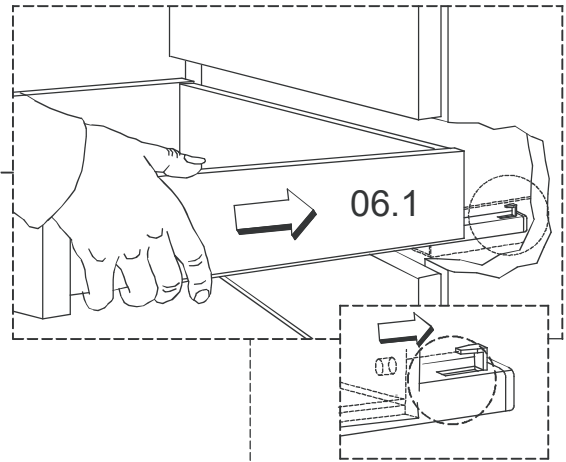
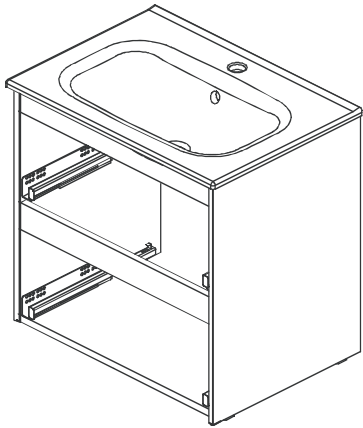
x4



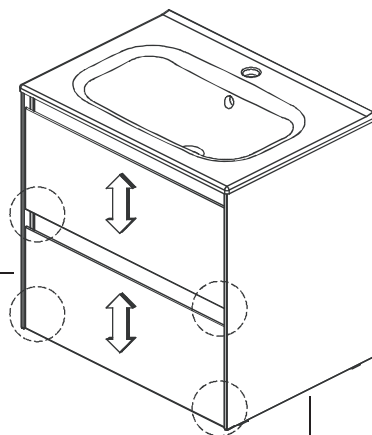
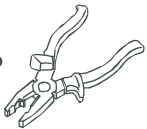
05.



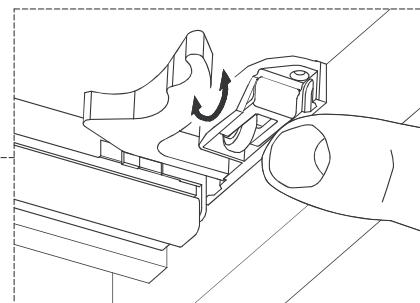
06.



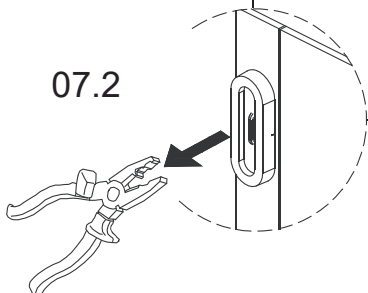
07.



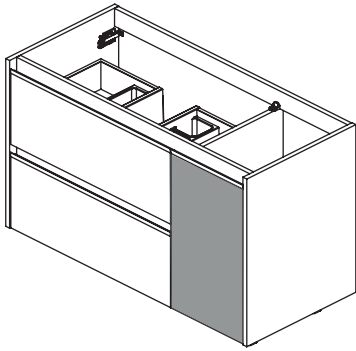
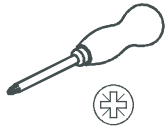
07.1



07.2

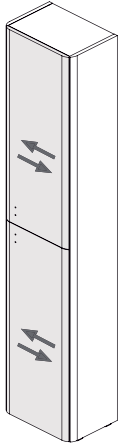
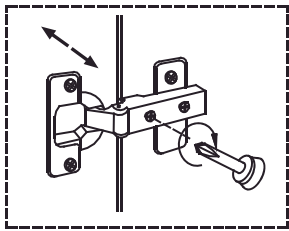


08.

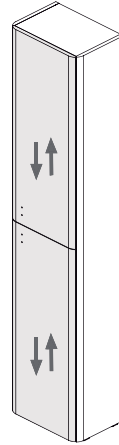
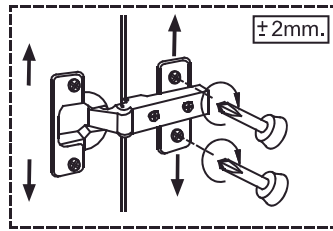


100

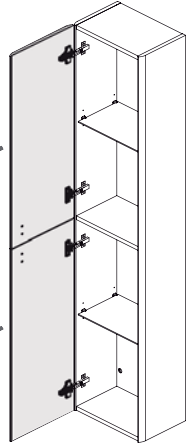
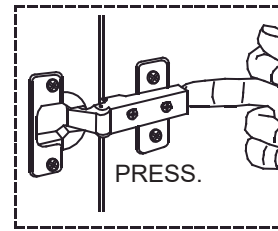
08.1



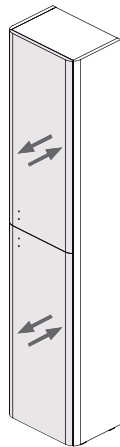
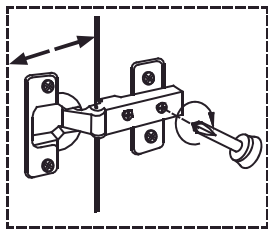
08.2



08.3



08.4



08.5

